

# LINERS CONTROL



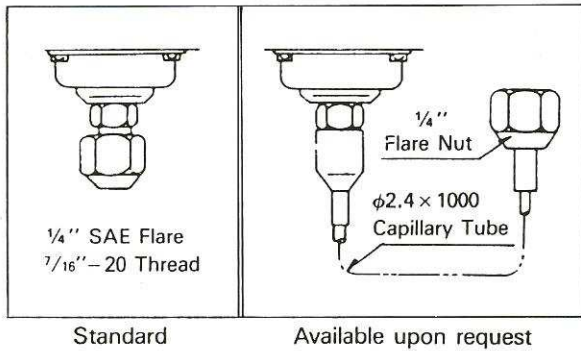
TYPE HS

## PRESSURE SWITCH (SINGLE FUNCTION)

### 1. General Description

- For use with fluorinated refrigerants as well as with air and water (Allowable Fluid Temp: -10 to 120°C)
- Type HS for Universal application.
- Micro-switch ensures reliable switching
- Mounting Bracket supplied as standard
- With SPDT contact mechanism

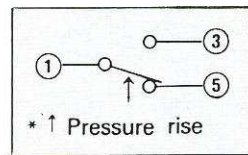
### 2. Pressure Connections



### 3. Electrical Ratings

Rated Voltage(V)		Power Factor (cos φ)	125/250V, AC
Rated Amps.(A)			
Non-Inductive Current		1	12
Inductive Current	Full Load	0.75	12
	Locked Roter	0.45	72

### 4. Contact Function



- 1: Common Terminal
- 3: Close on, Pressure Decrease
- 5: Close on, Pressure Increase

### 5. Specifications

Model No.	Range		Differential		Factory Setting		Max. Bellows Pressure (kgf/cm <sup>2</sup> )	Wt(Kg)	
	Min.	Max.	Min.	Max.	Off(On)	On(Off)			
HS	203	-50cmHg	3	0.35	2	0.5	1.5	11	0.42
	206	-50cmHg	6	0.6	4	2	3	16.5	
	210	1	10	1	3	4	6	16.5	
	220	5	20	3	5	15	12	40	
	230	5	30	3	10	20	15	40	

