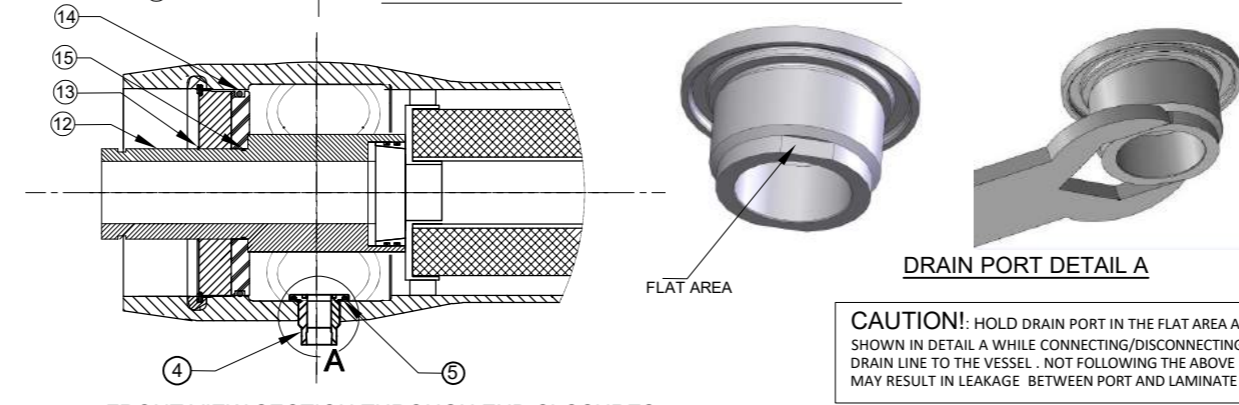
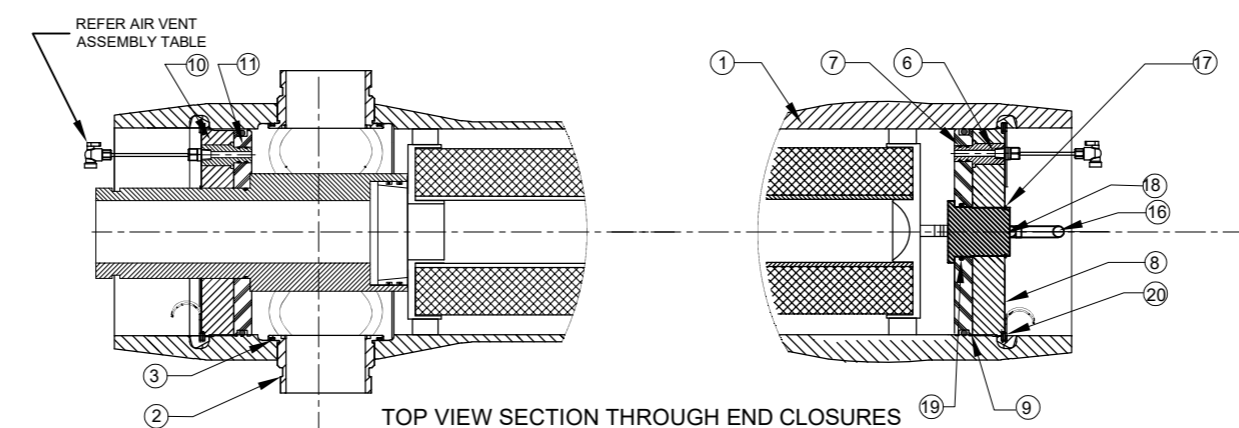


150 PSI

CAUTION: INCORRECT MANIFOLDING WILL CAUSE SEVERE LOCAL STRESS AROUND PORT AND MAY RESULT IN LEAKS AND PREMATURE FAILURE; TAKE EVERY PRECAUTION LISTED ON REVERSE, SEE INSTALLATION INSTRUCTIONS FOR FURTHER DETAILS

PORT SIZE CODE	
A	1" FNPT END
G	3" GROOVED END

NO. OF PORTS	PORT LOCATION	VESSEL QTY.



CAUTION!: HOLD DRAIN PORT IN THE FLAT AREA AS SHOWN IN DETAIL A WHILE CONNECTING/DISCONNECTING DRAIN LINE TO THE VESSEL. NOT FOLLOWING THE ABOVE MAY RESULT IN LEAKAGE BETWEEN PORT AND LAMINATE

DWG REF	QTY	PART NUMBER	DESCRIPTION	MATERIAL
SHELL				
1	1	ORDER SECTION	SHELL	Filament Wound Epoxy/Glass composites - Head locking grooves integrally wound in place.
2	A/R	96327	3" Feed Port	SA-995 CD3MWCuN (UNS J93380)
3	A/R	96119	3" Port Seal	Sq. Seal - EPDM
4	1	17180	1" FNPT Drain Port	SA-995 CD3MWCuN (UNS J93380)
5	1	45340	1" Drain Port Seal	Sq. Seal - EPDM
HEAD COMPONENTS FOR 140°F APPLICATION				
6	2	17174	1/4" FNPT Air Vent Port	Engineering Thermoplastic-PVC*
7	4	45286	1/4" Air Vent Port Seal	O - Ring - EPDM
8	1	17179	Bearing Plate Handle end	SB-221 A96061-T6
9	1	117007	Sealing Plate Handle end	Engineering Thermoplastic-Noryl
10	1	17176	Bearing Plate Product end	SB-221 A96061-T6
11	1	117006	Sealing Plate Product end	Engineering Thermoplastic-Noryl
12	1	17187	3" Product Port	Engineering Thermoplastic-PVC
13	1	17127	3" Port Retainer Ring	SA-479 316
14	2	96000	Head Seal	O - Ring - EPDM
15	1	17128	Product Port Seal	O - Ring - EPDM
16	1	17104	Handle Assembly	SA-479 316
17	1	45247	Plug Retainer Ring	Stainless Steel
18	1	17132	Plug	Engineering Thermoplastic-PVC*
19	1	45312	Plug seal	O - Ring - EPDM
HEAD INTERLOCK				
20	2	47336	Quick Release Spiral Ring	SA-479 316
VESSEL SUPPORT				
21	2	52169	Saddle	Engineering Thermoplastic
22	2	45042	Strap Assy.	304 Stainless Steel-PVC Cushion.
23	4	46265	Strap screw.	5/16-18 UNC X 2.5" - Long, 18-8 Stainless Steel.

AIR VENT ASSEMBLY:-17185

ITEM	QUANTITY	PART NO.	DESCRIPTION
1	6" Long	RRS-01027	Tubing Blue
2	1	RRS-010013	Male Connector, Pipe 1/4" Tube 1/4"
3	2	RRS-01047	Compression nut 1/4"
4	1	RRS-01039	Ball Valve 1/4"
5	1	17194	Blind Plug 1/4"

Element	"L" IN(MM)	"S" IN(MM)	Approx Weight LB(KG)	Approx Weight With Filter LB(KG)
60	74.62 (1896)	42X1 (1067)	60(27)	73(33)

GENERAL NOTES:

- DIMENSION IN INCHES (MM APPROX.).
- SHELL EXTERIOR COATED WITH WHITE RAL 9003, HIGH GLOSS POLYURETHANE PAINT.
- NOT TO BE USED FOR CONSTRUCTION UNLESS CERTIFIED BY PENTAIR.

+OPTIONAL MATERIAL SELECTION AVAILABLE FOR 180°F APPLICATION ON SECOND PAGE.

THIS DOCUMENT AND THE INFORMATION CONTAINED HEREIN, ARE THE CONFIDENTIAL AND PROPRIETARY INFORMATION OF PENTAIR INDIA PVT. LTD. PENTAIR INDIA PVT. LTD. IS THE SOLE OWNER OF THE INFORMATION AND PROCESSES DEFINED HEREIN. THIS DOCUMENT, AND THE INFORMATION CONTAINED, MAY NOT BE DISCLOSED, REPRODUCED, DUPLICATED, USED, SOLD, PUBLISHED, COMMUNICATED OR OTHERWISE DISTRIBUTED, IN WHOLE OR IN PART, FOR ANY PURPOSE WITHOUT THE EXPRESS WRITTEN CONSENT OF PENTAIR INDIA PVT. LTD. THIS DOCUMENT AND ANY COPIES, IN ALL APPLICABLE FORMATS, SHALL BE RETURNED TO PENTAIR INDIA PVT. LTD. UPON REQUEST.

ALL INDICATED PENTAIR TRADEMARKS AND LOGOS ARE PROPERTY OF PENTAIR. THIRD PARTY REGISTERED AND UNREGISTERED TRADEMARKS AND LOGOS ARE PROPERTY OF THEIR RESPECTIVE OWNERS. BECAUSE WE ARE CONTINUOUSLY IMPROVING OUR PRODUCTS AND SERVICES, PENTAIR RESERVES THE RIGHT TO CHANGE SPECIFICATIONS WITHOUT PRIOR NOTICE. PENTAIR IS AN EQUAL OPPORTUNITY EMPLOYER.

© 2021 Pentair. All Rights Reserved.

PENTAIR CODELINE VERNA, GOA INDIA

DRAWN BY: RA	DATE: 15/09/21	DRAWING DESCRIPTION: MODEL: 80CF15 SINGLE CARTRIDGE HOUSING	DRAWING NO.: 17028	REV.: M
CHECKED BY: KPS	DATE: 15/09/21	CUSTOMER NAME: -	VESSEL MODEL: 80CF15-60 NC	
APPROVED BY: FF	DATE: 15/09/21	PROJECT NAME: -	TOTAL QTY: -	
ECN NO.: 5901	DATE: 16/12/21	CUSTOMER P.O.#: -	SIZE: A3	SCALE: NONE
			PAGE NO.: 01	OF 02

RATING:

PVC / PET

DESIGN PRESSURE..... 150 PSIG at 140°F / 180°F
(1.0 MPa at 60°C / 82°C)

MIN. OPERATING TEMP..... 20°F
(-7°C)

FACTORY TEST PRESSURE..... 225 PSIG
(1.55 MPa)

QUALIFICATION PRESSURE..... 900 PSI
(6.2 MPa)

INTENDED USE:

The AquaLine 80CF15 Non Coded Fiberglass Pressure Vessel is designed for continuous, long term use as housing for AquaLine range of micro filtration elements.

The Shell of AquaLine 80CF15 Non Coded vessel is designed in accordance with the engineering standards of the Boiler and Pressure Vessel Code of the American Society of Mechanical Engineers (ASME) as per Section X Edition 2021 and all metallic parts are designed as per ASME Section VIII Division I Edition 2021.

The AquaLine 80CF15 Non Coded vessel must be installed, operated and maintained in accordance with the listed precautions and good industrial practice to assure safe operation over a long service life.

The high performance Filament wound FRP shell must be allowed to expand under pressure; undue restraint at support points or piping connections can cause leaks to develop in the shell. This side-ported vessel requires special precautions in mounting and connection to piping so that the vessel will not be subjected to excessive stress due to bending moments acting at the side openings in the fiberglass shell. The end closure, incorporating close fitting, interlocking metal components, must be kept dry and free of corrosion; deterioration can lead to catastrophic mechanical failure of the head.

Pentair will assist the purchaser in determining the suitability of this standard vessel for their specific operating conditions. The final determination however, including evaluation of the standard material of construction for compatibility with the specific corrosive environment, shall be the responsibility of the purchaser. Alternate materials with enhanced corrosion resistance are available on special order.

Specifications are subject to change without notice.

PRECAUTIONS:

DO...read, understand and follow all instructions; failure to take every precaution will void warranty and may result in vessel failure

DO...mount the shell on horizontal/vertical members at span "S" using compliant vessel supports furnished; for mounting vessels vertically provide proper bottom support; tighten hold down straps just snug.

DO...align and center side ports with the manifold header. Correct, causes of misalignment in a row of vessels connected to the same header

DO...use flexible type IPS grooved-end pipe couplings, or equal, at side ports; allow full, 0.125 inch gap between port and piping, and position piping to maximize flexibility of connection.

DO...provide flexibility in, and support for piping manifolds so that vessel can grow in length under pressure without undue restraint; provide additional flexible joints in large pipes leading to manifold header.

DO... Lubricate seals sparingly, using nonpetroleum Based lubricants, i.e. Parker Super O-lube®, Glycerin or suitable silicone based lubricants.

DO...provide overpressure protection for vessel set at not more than 105% of design pressure

DO...inspect end closures regularly; replace components that have deteriorated and correct causes of corrosion

DO NOT...work on any component until first verifying that pressure is relieved from vessel

DO NOT...make rigid piping connections to ports or clamp vessel in any way that resists growth of fiberglass shell under pressure;

DO NOT...pressurize vessel until double-checking to verify that the Locking Ring is in place and fully seated.

DO NOT...operate vessel at pressure and temperature in excess of its rating.

DO NOT...tolerate leaks or allow end closures to be routinely wetted in any way

DO NOT...operate outside the pH range of 3-11.

ORDERING:

Using the chart below, please check the features you require and fax them with your purchase order to our customer service department for further processing.
For optional materials and / or feature not listed below, please consult the factory for pricing and availability

VESSEL LENGTH CODE

MODEL: AquaLine 80CF15 Non Coded -60

CERTIFICATION REQUIRED

- CE Marked Standard.**
- Certified by Pentair.

HEAD ASSEMBLY MATERIAL SELECTION

- Standard: For 140°F application, Engineering Thermoplastic components in PVC as per drawing on First page.**
- Option: For 180°F application, Engineering Thermoplastic components in PET as given below. (Please consult factory as these options will affect pricing and vessel lead time)**

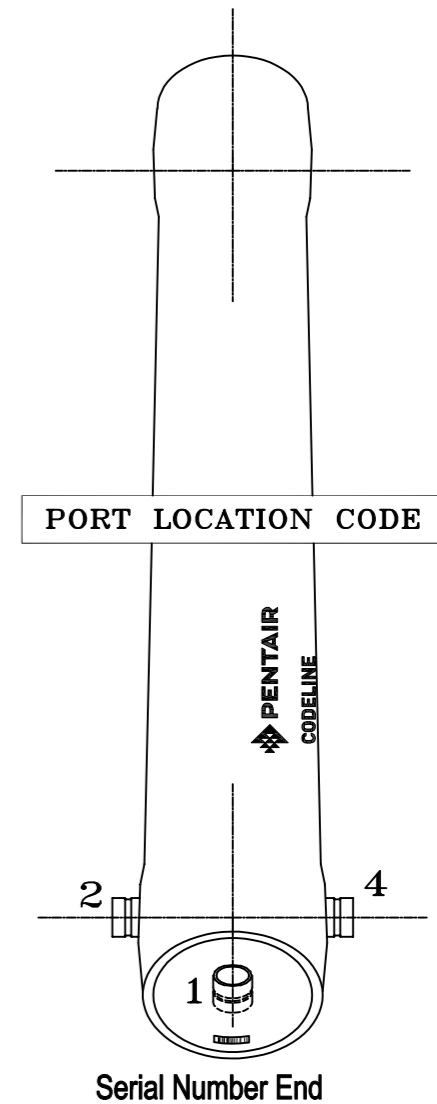
HEAD COMPONENTS FOR 180°F APPLICATION				
DWG REF	QTY	PART NUMBER	DESCRIPTION	MATERIAL
6	2	17403	1/4" FNPT Air Vent Port	Engineering Thermoplastic-PET
7	4	45286	1/4" Air Vent Port Seal	O - Ring - EPDM
8	1	17179	Bearing Plate Handle end	SB-221 A96061-T6
9	1	117007	Sealing Plate Handle end	Engineering Thermoplastic-Noryl
10	1	17176	Bearing Plate Product end	SB-221 A96061-T6
11	1	117006	Sealing Plate Product end	Engineering Thermoplastic-Noryl
12	1	17406	3" Product Port	Engineering Thermoplastic-PET
13	1	17127	3" Port Retainer Ring	SA-479 316
14	2	96000	Head Seal	O - Ring - EPDM
15	1	17128	Product Port Seal	O - Ring - EPDM
16	1	17104	Handle Assembly	SA-479 316
17	1	45247	Plug Retainer Ring	Stainless Steel
18	1	17407	Plug	Engineering Thermoplastic-PET
19	1	45312	Plug seal	O - Ring - EPDM

FEED PORT CONFIGURATION

Please fill out quantity for each configuration

- 1 A 4 G (Standard)**
- 1 A 2 G (Optional)**
- 1A2G4G (Optional)**

For complete information on proper use of the vessel
Please refer to the AquaLine User Guide No 96893.



THIS DOCUMENT AND THE INFORMATION CONTAINED HEREIN, ARE THE CONFIDENTIAL AND PROPRIETARY INFORMATION OF PENTAIR INDIA PVT. LTD. PENTAIR INDIA PVT. LTD. IS THE SOLE OWNER OF THE INFORMATION AND PROCESSES DEFINED HEREIN. THIS DOCUMENT, AND THE INFORMATION CONTAINED, MAY NOT BE DISCLOSED, REPRODUCED, DUPLICATED, USED, SOLD, PUBLISHED, COMMUNICATED OR OTHERWISE DISTRIBUTED, IN WHOLE OR IN PART, FOR ANY PURPOSE WITHOUT THE EXPRESS WRITTEN CONSENT OF PENTAIR INDIA PVT. LTD. THIS DOCUMENT AND ANY COPIES, IN ALL APPLICABLE FORMATS, SHALL BE RETURNED TO PENTAIR INDIA PVT. LTD. UPON REQUEST.

ALL INDICATED PENTAIR TRADEMARKS AND LOGOS ARE PROPERTY OF PENTAIR. THIRD PARTY REGISTERED AND UNREGISTERED TRADEMARKS AND LOGOS ARE PROPERTY OF THEIR RESPECTIVE OWNERS. BECAUSE WE ARE CONTINUOUSLY IMPROVING OUR PRODUCTS AND SERVICES, PENTAIR RESERVES THE RIGHT TO CHANGE SPECIFICATIONS WITHOUT PRIOR NOTICE. PENTAIR IS AN EQUAL OPPORTUNITY EMPLOYER.

©2021 Pentair. All Rights Reserved.



DRAWN BY:	RA	DRAWING DESCRIPTION:	DRAWING NO.:	REV.:
DATE:	15/09/21	MODEL: 80CF15 SINGLE CARTRIDGE HOUSING	17028	M
CHECKED BY:	KPS	CUSTOMER NAME:	VESSEL MODEL:	
DATE:	15/09/21	-	80CF15-60 NC	
APPROVED BY:	FF	PROJECT NAME:	TOTAL QTY:	
DATE:	15/09/21	-	-	
ECN NO.:	5901	CUSTOMER P.O.#:	SIZE:	SCALE:
DATE:	16/12/21	-	A3	NONE
				PAGE NO.:
				02 OF 02