

Sanlixin Solenoid Valve

ZS Compact Series 2/2-Way Direct Acting Solenoid Valve · Normally Closed

●The Professional Solenoid Valves Manufactory

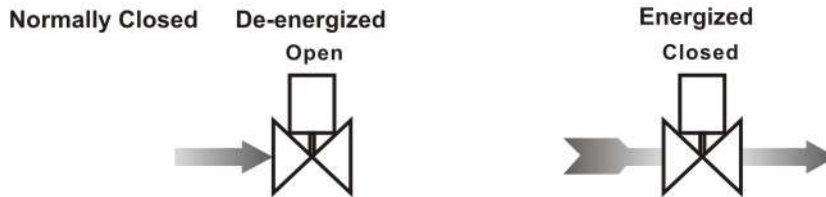
Solenoid Valves Numbering System for Order

Position description	1	2	3	4	5	6	7	8	9	10
	Valve Series	Mode of Operation	Coil Type	Coil Class	Voltage	Seal Material	Body Material	Pipe Size	Orifice (mm)	Options
E.G.	ZS	1	D	F	02	N	1	E	20	<input type="checkbox"/>
	ZS Series	1: Normally Closed 2: Normally Open	D: DIN Standard Connections, Fully Encapsulated A: Metallic Housing, DIN Standard N= Lead wires water-tight Fully Encapsulated (for orifice under ϕ 25mm only) X: Explosion-proof S:NASS Coil	F: F Class H: H Class	02= AC220V AC230V 01= AC110V AC120V 03=AC36V 04=AC48V 05=AC24V 08=AC380V 12=DC12V 13=DC24V	N=NBR V=VITON E=EPDM (for orifice under ϕ 25mm only) G=Silica Gel	1=Forged Brass 4= SS304 9=Forged Brass 1=Forged Brass 4= SS304 2: Cast Brass 1: Forged Brass 2: Cast Brass 1: Forged Brass 2: Cast Brass 1: Forged Brass 4= SS304	A=1/8" B=1/4" C=3/8" C=3/8" D=1/2" B=1/4" C=3/8" D=1/2" C=3/8" D=1/2" E=3/4" G=1" H=1 1/4" J=1 1/2" K=2" F= Flange Connection	C3=2.5 03=3.0 04=4.0 05=5.0 06=6.0 C8=7.5 04=4.0 05=5.0 06=6.0 C8=7.5 10=10.0 10=10.0 16=16.0 20=20.0 25=25.0 32=32.0 35=35.0 40=40.0 50=50.0 25=25.0 35=35.0 40=40.0 50=50.0 65=65.0 80=80.0 100=100.0	M= Manual Override L= Neon lamp N= NPT pipe size K= Mounting Bracket

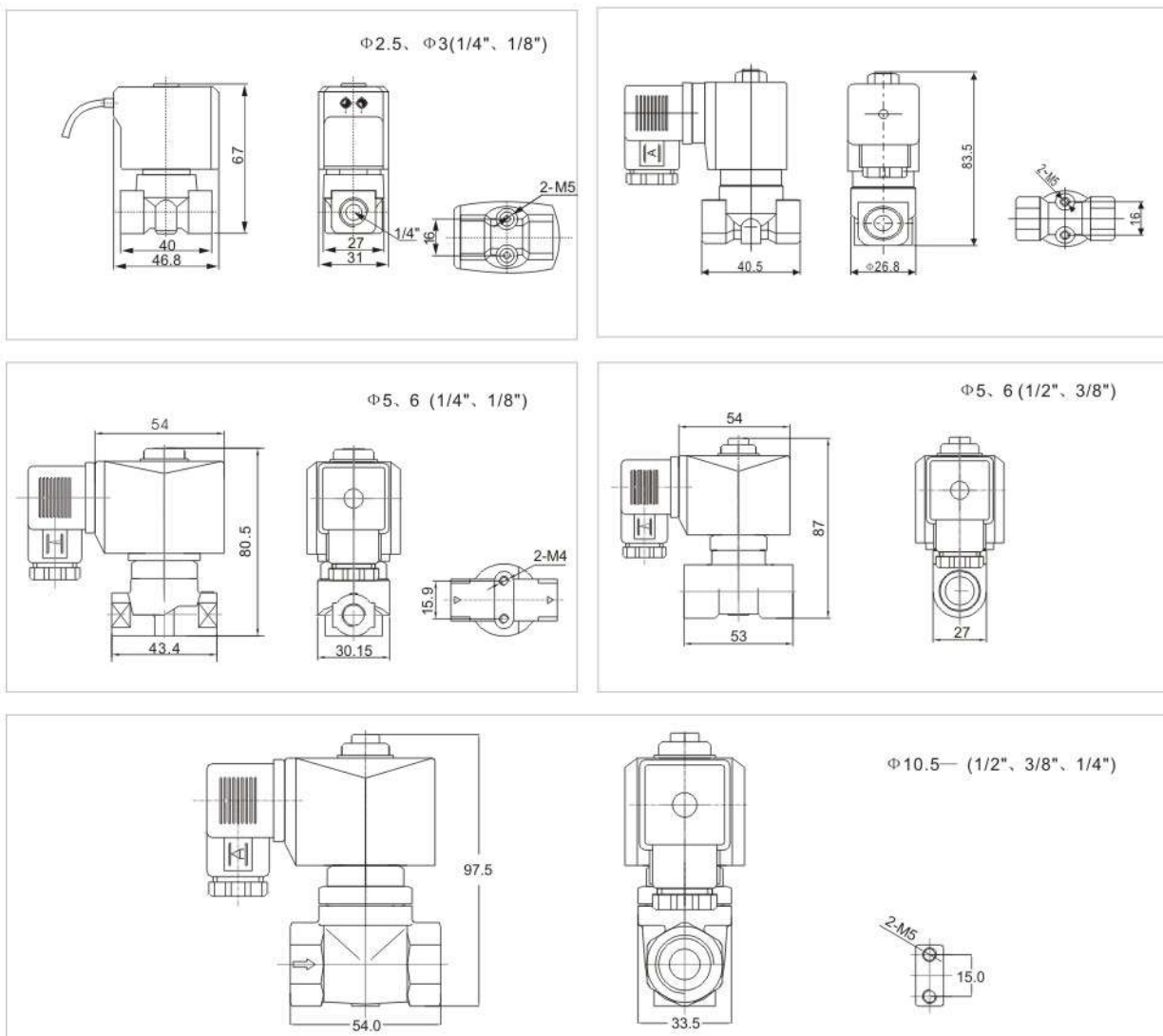
ZS Compact Series 2/2-Way Direct Acting Solenoid Valve · Normally Closed

●The Professional Solenoid Valves Manufactory

- 1: 2-Way normally closed solenoid valve, Closed when de-energized, open when energized. Body material: brass
- 2: Max. Allowable pressure 16kgf/cm²; Fluids Temp: 0°C~120°C
- 3: Serialized products, small in size, large flow rate, widely use
- 4: Flow as the arrow, mounts in any position; Best position is solenoid vertical and upright direction.
- 5: Voltage: 220VAC/230VAC/240VAC/110VAC/24VAC 50/60HZ 24VDC/12VDC; Voltage Tolerance: +10% to -10% applicable voltage
- 6: Coil can fix Germany Nass Coil, for orifice under DN25 only.
- 7: This series valves are offered NBR、VITON、EPDM etc for Seals and diaphragm to provide on-off control of various fluids.



External Dimensions Chart



Sanlixin Solenoid Valve

ZS Compact Series 2/2-Way Direct Acting Solenoid Valve · Normally Closed

●The Professional Solenoid Valves Manufactory



Valve Selection List

Pipe Conn- ection	Orifice mm	CV Factor	Operating pressure differential (kgf/cm ²)								Max. fluids Temp. °C	Coil Type	Power consumption		Coil Class	Model Code Follows Voltage are 220VAC		Weight KG
			Min.	Max.						AC 220V			DC 24V	Body material: Forged brass SS304				
				Air Gas	Water Hot water Liquids		Light oil ≤ 20CST											
					AC	DC	AC	DC	AC							DC		
1/8" for N05 type coil only	2.5	0.23	0	7	5	7	5	7	5	80	N	13	8.5	B	ZS1NF02N1AC3	ZS1NF02N4AC3	0.35	
	2.5	0.23	0	7	5	7	5			120	N	13	8.5	B	ZS1NF02E1AC3	ZS1NF02E4AC3	0.35	
	2.5	0.23	0	7	5	7	5	7	5	120	N	13	8.5	B	ZS1NF02V1AC3	ZS1NF02V4AC3	0.35	
	3	0.3	0	5	4	5	4	5	4	80	N	13	8.5	B	ZS1NF02N1A03	ZS1NF02N4A03	0.35	
	3	0.3	0	5	4	5	4			120	N	13	8.5	B	ZS1NF02E1A03	ZS1NF02E4A03	0.35	
	3	0.3	0	5	4	5	4	5	4	120	N	13	8.5	B	ZS1NF02V1A03	ZS1NF02V4A03	0.35	
1/8"	5	0.65	0	6	4	6	4	4	3	80	D	20	20	F	ZS1DF02N1A05	ZS1DF02N4A05	0.46	
	5	0.65	0	6	4	6	4			120	D	20	20	F	ZS1DF02E1A05	ZS1DF02E4A05	0.46	
	5	0.65	0	6	4	6	4	4	3	120	D	20	20	F	ZS1DF02V1A05	ZS1DF02V4A05	0.46	
	6	0.8	0	4	2.5	4	2.5	3	2.5	80	D	20	20	F	ZS1DF02N1A06	ZS1DF02N4A06	0.46	
	6	0.8	0	4	2.5	4	2.5			120	D	20	20	F	ZS1DF02E1A06	ZS1DF02E4A06	0.46	
	6	0.8	0	4	2.5	4	2.5	3	2.5	120	D	20	20	F	ZS1DF02V1A06	ZS1DF02V4A06	0.46	
	7.5	1.0	0	1.5	1	1.5	1	1.5	1	80	D	20	20	F	ZS1DF02N1AC8	ZS1DF02N4AC8	0.45	
	7.5	1.0	0	1.5	1	1.5	1			120	D	20	20	F	ZS1DF02E1AC8	ZS1DF02E4AC8	0.45	
1/4" for N05 type coil only	2.5	0.23	0	7	5	7	5	7	5	80	N	13	8.5	B	ZS1NF02N1BC3	ZS1NF02N4BC3	0.34	
	2.5	0.23	0	7	5	7	5			120	N	13	8.5	B	ZS1NF02E1BC3	ZS1NF02E4BC3	0.34	
	2.5	0.23	0	7	5	7	5	7	5	120	N	13	8.5	B	ZS1NF02V1BC3	ZS1NF02V4BC3	0.34	
	3	0.3	0	5	4	5	4	5	4	80	N	13	8.5	B	ZS1NF02N1B03	ZS1NF02N4B03	0.34	
	3	0.3	0	5	4	5	4			120	N	13	8.5	B	ZS1NF02E1B03	ZS1NF02E4B03	0.34	
	3	0.3	0	5	4	5	4	5	4	120	N	13	8.5	B	ZS1NF02V1B03	ZS1NF02V4B03	0.34	
1/4"	5	0.65	0	6	4	6	4	4	3	80	D	20	20	F	ZS1DF02N1B05	ZS1DF02N4B05	0.45	
	5	0.65	0	6	4	6	4			120	D	20	20	F	ZS1DF02E1B05	ZS1DF02E4B05	0.45	
	5	0.65	0	6	4	6	4	4	3	120	D	20	20	F	ZS1DF02V1B05	ZS1DF02V4B05	0.45	
	6	0.8	0	4	2.5	4	2.5	3	2.5	80	D	20	20	F	ZS1DF02N1B06	ZS1DF02N4B06	0.45	
	6	0.8	0	4	2.5	4	2.5			120	D	20	20	F	ZS1DF02E1B06	ZS1DF02E4B06	0.45	
	6	0.8	0	4	2.5	4	2.5	3	2.5	120	D	20	20	F	ZS1DF02V1B06	ZS1DF02V4B06	0.45	
	7.5	1.0	0	1.5	1	1.5	1	1.5	1	80	D	20	20	F	ZS1DF02N1BC8	ZS1DF02N4BC8	0.44	
	7.5	1.0	0	1.5	1	1.5	1			120	D	20	20	F	ZS1DF02E1BC8	ZS1DF02E4BC8	0.44	
	7.5	1.0	0	1.5	1	1.5	1	1.5	1	120	D	20	20	F	ZS1DF02V1BC8	ZS1DF02V4BC8	0.44	

ZS Compact Series 2/2-Way Direct Acting Solenoid Valve · Normally Closed

●The Professional Solenoid Valves Manufactory



Valve Selection List

Pipe Conn-ection	Orifice mm	CV Factor	Operating pressure differential (kgf/cm ²)							Max. fluids Temp. °C	Coil Type	Power consumption		Coil Class	Model Code		Weight KG
			Min.	Max.								AC 220V	DC 24V		Follows Voltage are 220VAC		
				Air Gas		Water Hot water Liquids		Light oil ≤20CST							Body material:		
				AC	DC	AC	DC	AC	DC						Forged brass	SS304	
3/8"	4	0.6	0	8	5	8	5	5	5	80	D	20	20	F	ZS1DF02N1C04	ZS1DF02N4C04	0.6
	4	0.6	0	8	5	8	5			120	D	20	20	F	ZS1DF02E1C04	ZS1DF02E4C04	0.6
	4	0.6	0	8	5	8	5	5	5	120	D	20	20	F	ZS1DF02V1C04	ZS1DF02V4C04	0.6
	5	0.65	0	6	4	6	4	4	3	80	D	20	20	F	ZS1DF02N1C05	ZS1DF02N4C05	0.51
	5	0.65	0	6	4	6	4			120	D	20	20	F	ZS1DF02E1C05	ZS1DF02E4C05	0.51
	5	0.65	0	6	4	6	4	4	3	120	D	20	20	F	ZS1DF02V1C05	ZS1DF02V4C05	0.51
	6	0.8	0	4	2.5	4	2.5	3	2.5	80	D	20	20	F	ZS1DF02N1C06	ZS1DF02N4C06	0.51
	6	0.8	0	4	2.5	4	2.5			120	D	20	20	F	ZS1DF02E1C06	ZS1DF02E4C06	0.51
	6	0.8	0	4	2.5	4	2.5	3	2.5	120	D	20	20	F	ZS1DF02V1C06	ZS1DF02V4C06	0.51
	7.5	1.0	0	1.5	1	1.5	1	1.5	1	80	D	20	20	F	ZS1DF02N1CC8	ZS1DF02N4CC8	0.49
	7.5	1.0	0	1.5	1	1.5	1			120	D	20	20	F	ZS1DF02E1CC8	ZS1DF02E4CC8	0.49
	7.5	1.0	0	1.5	1	1.5	1	1.5	1	120	D	20	20	F	ZS1DF02V1CC8	ZS1DF02V4CC8	0.49
	10	1.6	0	0.5	0.3	0.5	0.3	0.4	0.2	80	D	20	20	F	ZS1DF02N1C10		0.62
	10	1.6	0	0.5	0.3	0.5	0.3			120	D	20	20	F	ZS1DF02E1C10		0.62
10	1.6	0	0.5	0.3	0.5	0.3	0.4	0.2	120	D	20	20	F	ZS1DF02V1C10		0.62	
1/2"	4	0.6	0	8	5	8	4	4	3	80	D	20	20	F	ZS1DF02N1D04	ZS1DF02N4D04	0.48
	4	0.6	0	8	5	8	4			120	D	20	20	F	ZS1DF02E1D04	ZS1DF02E4D04	0.48
	4	0.6	0	8	5	8	5	5	5	120	D	20	20	F	ZS1DF02V1D04	ZS1DF02V4D04	0.48
	5	0.65	0	6	4	6	5	5	5	80	D	20	20	F	ZS1DF02N1D05	ZS1DF02N4D05	0.48
	5	0.65	0	6	4	6	5			120	D	20	20	F	ZS1DF02E1D05	ZS1DF02E4D05	0.48
	5	0.65	0	6	4	6	4	4	3	120	D	20	20	F	ZS1DF02V1D05	ZS1DF02V4D05	0.48
	6	0.8	0	4	2.5	4	2.5	3	2.5	80	D	20	20	F	ZS1DF02N1D06	ZS1DF02N4D06	0.46
	6	0.8	0	4	2.5	4	2.5			120	D	20	20	F	ZS1DF02E1D06	ZS1DF02E4D06	0.46
	6	0.8	0	4	2.5	4	2.5	3	2.5	120	D	20	20	F	ZS1DF02V1D06	ZS1DF02V4D06	0.46
	7.5	1.0	0	1.5	1	1.5	1	1.5	1	80	D	20	20	F	ZS1DF02N1DC8	ZS1DF02N4DC8	
	7.5	1.0	0	1.5	1	1.5	1			120	D	20	20	F	ZS1DF02E1DC8	ZS1DF02E4DC8	
	7.5	1.0	0	1.5	1	1.5	1	1.5	1	120	D	20	20	F	ZS1DF02V1DC8	ZS1DF02V4DC8	
	10	1.65	0	0.5	0.3	0.5	0.3	0.4	0.2	80	D	20	20	F	ZS1DF02N1D10		
	10	1.65	0	0.5	0.3	0.5	0.3			120	D	20	20	F	ZS1DF02E1D10		0.59
10	1.65	0	0.5	0.3	0.5	0.3	0.4	0.2	120	D	20	20	F	ZS1DF02V1D10			

Sanlixin Solenoid Valve

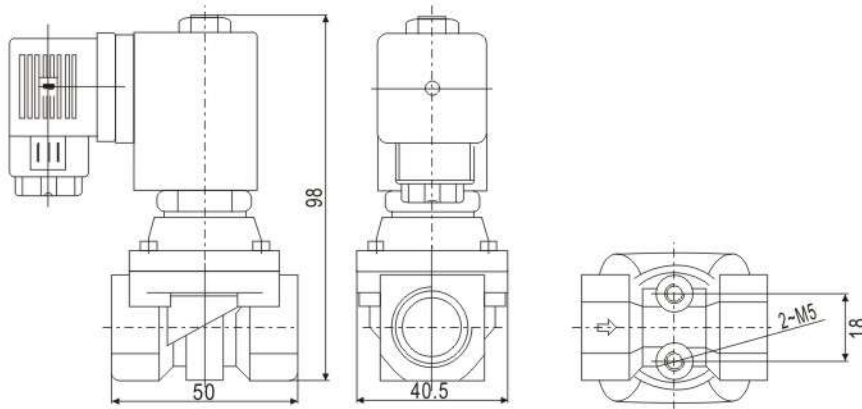
ZS 2/2-way Direct Acting Solenoid Valve · Normlly Closed

● The Professional Solenoid Valves Manufactory

- 1: 2/2 way normally closed ,
closed when de-energized open , open when energized
- 2: Max pressure tolerance: 25 kgf/cm²
- 3: Working pressure : 0 ~20 kgf/cm²
- 4: Ambient temp : 0~65 °C
- 5: Flow as the arrow ,mounts in any position ; best position is solenoid vertical and upright direction
- 6: Only 3/8" & 1/2" connection size ,orifice ϕ 10mm, can be widely used in the corresponding flow and pressure system , replace the same connection size but big orifice valve , can save a lot of cost
- 7: Voltage : AC220V/230V/240V/110V/24V 50/60HZ DC24V/12V
- 8: Seals : Can choose NBR、EPDM、VITON to fit the on/off control of different media;
- 9: Body: Brass



External Dimensions:



Valve Selection List

Pipe Conn- ection	Orifice mm	CV Factor	Operating pressure differential (kgf/cm ²)								Max. Temp. °C	Coil Type	Power consumption		Coil Class	Model Code Follows Voltage are 220VAC50/60HZ	Weight KG
			Min.	Max.						AC 220V			DC 24V				
				Air Gas		Water Hotwater liquid、		Light oil									
				AC	DC	AC	DC	AC	DC								
1/4 "	10	1.9	0	20	16	20	16	20	16	80	D	22	13	F	ZS1DF02N9B10	0.55	
	10	1.9	0	20	16	20	16	20	16	120	D	22	13	F	ZS1DF02E9B10	0.55	
	10	1.9	0	20	16	20	16	20	16	120	D	22	13	F	ZS1DF02V9B10	0.55	
3/8 "	10	2.4	0	20	16	20	16	20	16	80	D	22	13	F	ZS1DF02N9C10	0.54	
	10	2.4	0	20	16	20	16	20	16	120	D	22	13	F	ZS1DF02E9C10	0.54	
	10	2.4	0	20	16	20	16	20	16	120	D	22	13	F	ZS1DF02V9C10	0.54	
1/2 "	10	2.4	0	20	16	20	16	20	16	80	D	22	13	F	ZS1DF02N9D10	0.53	
	10	2.4	0	20	16	20	16	20	16	120	D	22	13	F	ZS1DF02E9D10	0.53	
	10	2.4	0	20	16	20	16	20	16	120	D	22	13	F	ZS1DF02V9D10	0.53	

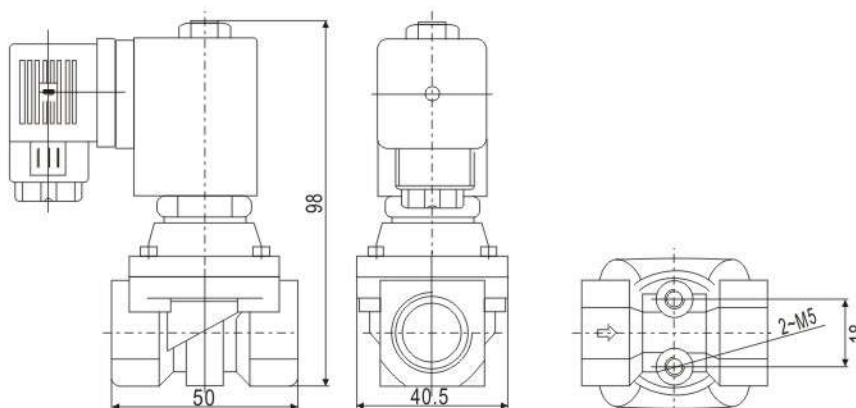
ZS 2/2-way Direct Acting Solenoid Valve · Normlly Closed

●The Professional Solenoid Valves Manufactory

1. 2/2 way Normally Closed, closed when de-energized open, open when energized.
2. Max Pressure Tolerance: 25kgf/cm²
3. Working Pressure: 0~20kgf/cm²
4. Ambient Temp.: 0~65°C
5. Flow as the arrow, mounts in any position; best position is solenoid vertiac and upright direction.
6. Only 1/4" & 3/8" & 1/2" connection size, orifice Φ10mm, can be widely used in the corresponding flow and pressure system, replace the same connection size but big orifice valve, can save a lot of cost.
7. Voltage: AC220V/230V/240V/110V/24V 50/60HZ DC24V/12V
8. Seals: can choose NBR, EPDM, VITON to fit the on/off control of different media.
9. Body: SS304



External Dimensions:



Valve Selection List

Pipe Connection	Orifice mm	CV Factor	Operating Pressure Differential kgf/cm ²						Max Temp. °C	Coil Type	Power Consumption		Coil Class	Model Code Follows Voltage are 220VAC	Weight kg	
			Min.	Max			AC 220V	DC 24V								
				Air Gas		Water, Hot Water, Liquid					Light oil					
				AC	DC	AC						DC				AC
1/4"	10	1.9	0	20	16	20	16	20	16	80	D	22	13	F	ZS1DF02N4B10	0.55
	10	1.9	0	20	16	20	16	20	16	120	D	22	13	F	ZS1DF02E4B10	0.55
	10	1.9	0	20	16	20	16	20	16	120	D	22	13	F	ZS1DF02V4B10	0.55
3/8"	10	2.4	0	20	16	20	16	20	16	80	D	22	13	F	ZS1DF02N4C10	0.54
	10	2.4	0	20	16	20	16	20	16	120	D	22	13	F	ZS1DF02E4C10	0.54
	10	2.4	0	20	16	20	16	20	16	120	D	22	13	F	ZS1DF02V4C10	0.54
1/2"	10	2.4	0	20	16	20	16	20	16	80	D	22	13	F	ZS1DF02N4D10	0.53
	10	2.4	0	20	16	20	16	20	16	120	D	22	13	F	ZS1DF02E4D10	0.53
	10	2.4	0	20	16	20	16	20	16	120	D	22	13	F	ZS1DF02V4D10	0.53

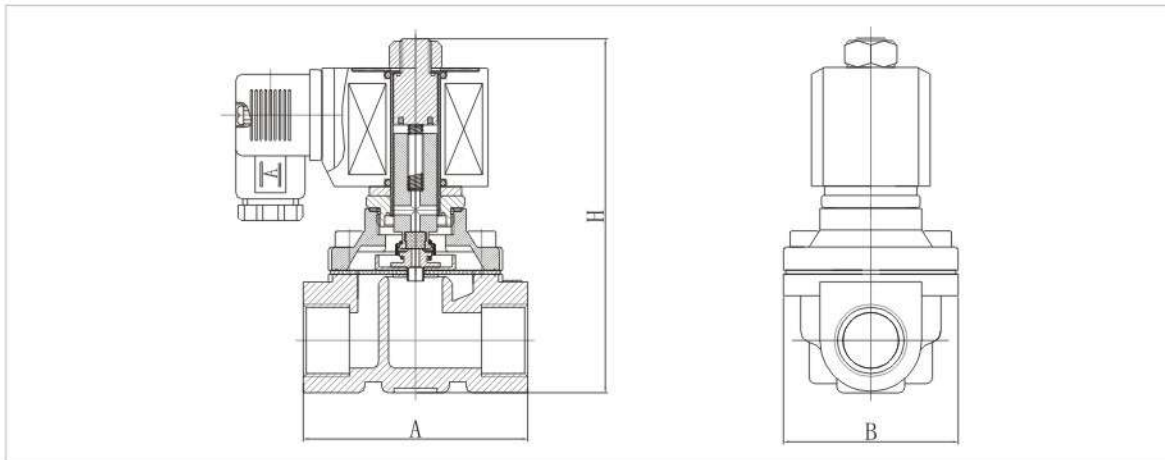
ZS 2/2-Way Large diameter Direct Acting Solenoid Valve · Normally Closed

●The Professional Solenoid Valves Manafactory

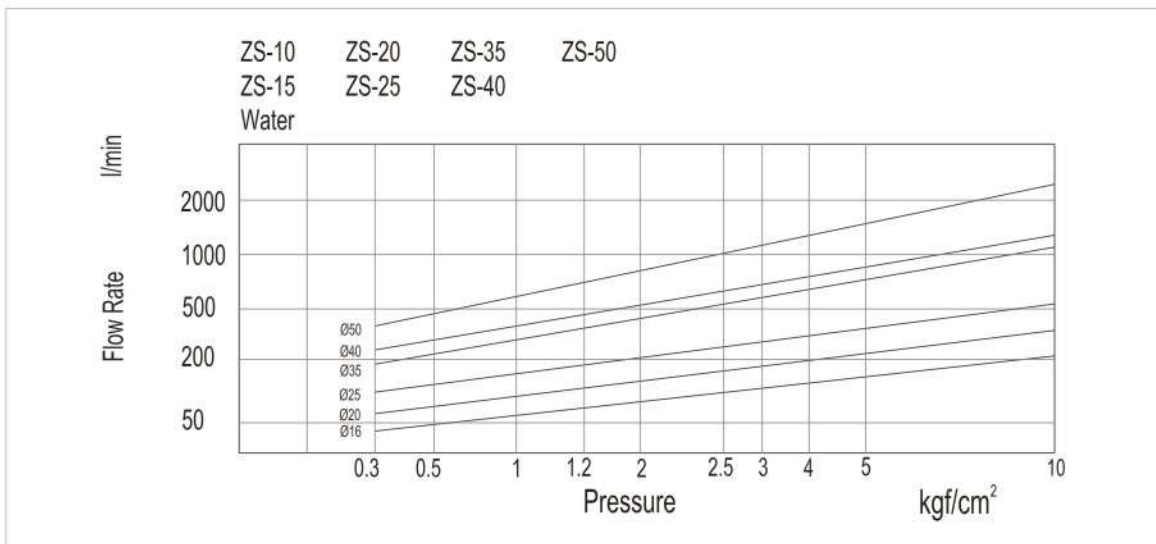
- 1: 2-Way normally closed solenoid valve, Closed when de-energized, open when energized.
- 2: Serialized products, small in size, large flow rate, widely use
- 3: Body material: forged brass, cast brass (for orifice $\Phi 32$ 、40、50 only)
- 4: Ambient Temp. $0^{\circ}\text{C}\sim 65^{\circ}\text{C}$, Fluids Temp: $0^{\circ}\text{C}\sim 120^{\circ}\text{C}$.
- 5: Flow as the arrow, mounts in any position; Best position is Solenoid vertical and upright direction.
- 6: Voltage: 220VAC/230VAC/240VAC/110VAC/24VAC 50/60HZ 24VDC/12VDC;
Voltage Tolerance: +10% to -10% applicable voltage
- 7: Coil can fix Germany Nass Coil, for orifice under $\phi 16\sim 25\text{mm}$ only.
- 8: This series valves are offered NBR、VITON、EPDM etc for Seals and diaphragm to provide on-off control of various fluids.



External Dimensions Chart



Flow Chart



ZS 2/2-Way Large diameter Direct Acting Solenoid Valve · Normally Closed

● The Professional Solenoid Valves Manufactory

Valve Selection List

Pipe Conn-ection	Orifice mm	CV Factor	Operating pressure differential (kgf/cm ²)								Max. Fluids Temp.	Coil F Class Type	Power consumption		External Dimensions Length x Width x Height Lx W x H	Weight KG	Model Code Follows Voltage are 220VAC 50/60HZ
			Min.	Max.						VA AC 220 V			W DC 24 V				
				Air Gas		Water Hot water Liquids		Light oil ≤20CST									
				AC	DC	AC	DC	AC	DC								
3/8"	16	4.8	0	10	6	10	6	7	4	80	D	20	20	69×57×106	0.9	ZS1DF02N1C16	
	16	4.8	0	10	6	10	6			120	D	20	20	69×57×106	0.9	ZS1DF02E1C16	
	16	4.8	0	10	6	10	6	7	4	120	D	20	20	69×57×106	0.9	ZS1DF02V1C16	
	16	4.8	0			3	3			120	D	20	20	69×57×106	0.9	ZS1DF02G1C16	
1/2"	16	4.8	0	10	6	10	6	7	4	80	D	20	20	69×57×106	0.9	ZS1DF02N1D16	
	16	4.8	0	10	6	10	6			120	D	20	20	69×57×106	0.9	ZS1DF02E1D16	
	16	4.8	0	10	6	10	6	7	4	120	D	20	20	69×57×106	0.9	ZS1DF02V1D16	
	16	4.8	0			3	3			120	D	20	20	69×57×106	0.9	ZS1DF02G1D16	
3/4"	20	7.6	0	10	6	10	6	7	4	80	D	20	20	73×57×114	1.08	ZS1DF02N1E20	
	20	7.6	0	10	6	10	6			120	D	20	20	73×57×114	1.08	ZS1DF02E1E20	
	20	7.6	0	10	6	10	6	7	4	120	D	20	20	73×57×114	1.08	ZS1DF02V1E20	
	20	7.6	0			3	3			120	D	20	20	73×57×114	1.08	ZS1DF02G1E20	
1"	25	12	0	10	6	10	6	7	4	80	D	20	20	99×77×121	1.4	ZS1DF02N1G25	
	25	12	0	10	6	10	6			120	D	20	20	99×77×121	1.4	ZS1DF02E1G25	
	25	12	0	10	6	10	6	7	4	120	D	20	20	99×77×121	1.4	ZS1DF02V1G25	
	25	12	0			3	3			120	D	20	20	99×77×121	1.4	ZS1DF02G1G25	
1 1/4"	32	24	0	10	6	10	6	7	4	80	D	57	45	112×86.5×150	2.5	ZS1DF02N2H32	
	32	24	0	10	6	10	6			120	D	57	45	112×86.5×150	2.5	ZS1DF02E2H32	
	32	24	0	10	6	10	6	7	4	120	D	57	45	112×86.5×150	2.5	ZS1DF02V2H32	
	32	24	0	10	6	10	6	7	4	80	D	57	45	112×86.5×150	2.7	ZS1DF02N1H32	
	32	24	0	10	6	10	6			120	D	57	45	112×86.5×150	2.7	ZS1DF02E1H32	
	32	24	0	10	6	10	6	7	4	120	D	57	45	112×86.5×150	2.7	ZS1DF02V1H32	
1 1/2"	40	29	0	10	6	10	6	7	4	80	D	57	45	123×94×160	2.9	ZS1DF02N2J40	
	40	29	0	10	6	10	6			120	D	57	45	123×94×160	2.9	ZS1DF02E2J40	
	40	29	0	10	6	10	6	7	4	120	D	57	45	123×94×160	2.9	ZS1DF02V2J40	
	40	29	0	10	6	10	6	7	4	80	D	57	45	123×94×160	3.2	ZS1DF02N1J40	
	40	29	0	10	6	10	6			120	D	57	45	123×94×160	3.2	ZS1DF02E1J40	
	40	29	0	10	6	10	6	7	4	120	D	57	45	123×94×160	3.2	ZS1DF02V1J40	
2"	50	48	0	10	6	10	6	7	4	80	D	57	45	168×123×183	5.2	ZS1DF02N2K50	
	50	48	0	10	6	10	6			120	D	57	45	168×123×183	5.2	ZS1DF02E2K50	
	50	48	0	10	6	10	6	7	4	120	D	57	45	168×123×183	5.2	ZS1DF02V2K50	
	50	48	0	10	6	10	6	7	4	80	D	57	45	168×123×183	5.4	ZS1DF02N1K50	
	50	48	0	10	6	10	6			120	D	57	45	168×123×183	5.4	ZS1DF02E1K50	
	50	48	0	10	6	10	6	7	4	120	D	57	45	168×123×183	5.4	ZS1DF02V1K50	

ZS 2/2-Way Large diameter Direct Acting Solenoid Valve · Normally Closed

●The Professional Solenoid Valves Manufactory

- 1:** 2-Way normally closed solenoid valve, Closed when de-energized, open when energized.
- 2:** Body material: 304 stainless steel and 316 stainless steel
- 3:** Fluids Temp:0°C~120°C; Ambient Temp. 0°C~65°C
- 4:** Serialized products, small in size, large flow rate, widely use
- 5:** Flow as the arrow, mounts in any position; Best position is Solenoid vertical and upright direction.
- 6:** Voltage: 220VAC/230VAC/240VAC/110VAC/24VAC 50/60HZ 24VDC/12VDC;
Voltage Tolerance: +10% to -10% applicable voltage
- 7:** Coil can fix Germany Nass Coil, for orifice under DN25 only.
- 8:** This series valves are offered NBR、VITON、EPDM etc
for Seals and diaphragm to provide on-off control of various fluids.



Valve Selection List (Female Thread)

Pipe Conn-ection	Orifice mm	CV Factor	Operating pressure differential (kgf/cm ²)						Max. Fluids Temp.	Coil F Class Type	Power consumption		External Dimensions Length x Width x Height A x B x H	Weight KG	Model Code Follows Voltage are 220VAC 50/60HZ	
			Min.	Max.							VA AC 220 V	W DC 24 V				
				Air Gas		Water Hot water Liquids		Light oil								
				AC	DC	AC	DC	AC			DC					
3/8"	16	4.8	0	10	6	10	6	7	4	80	D	20	20	69×57×106	0.8	ZS1DF02N4C16
	16	4.8	0	10	6	10	6			120	D	20	20	69×57×106	0.8	ZS1DF02E4C16
	16	4.8	0	10	6	10	6	7	4	120	D	20	20	69×57×106	0.8	ZS1DF02V4C16
	16	4.8	0			3	3			120	D	20	20	69×57×106	0.8	ZS1DF02G4C16
1/2"	16	4.8	0	10	6	10	6	7	4	80	D	20	20	69×57×106	0.85	ZS1DF02N4D16
	16	4.8	0	10	6	10	6			120	D	20	20	69×57×106	0.85	ZS1DF02E4D16
	16	4.8	0	10	6	10	6	7	4	120	D	20	20	69×57×106	0.85	ZS1DF02V4D16
	16	4.8	0			3	3			120	D	20	20	69×57×106	0.85	ZS1DF02G4D16
3/4"	20	7.6	0	10	6	10	6	7	4	80	D	20	20	73×57×114	1.1	ZS1DF02N4E20
	20	7.6	0	10	6	10	6			120	D	20	20	73×57×114	1.1	ZS1DF02E4E20
	20	7.6	0	10	6	10	6	7	4	120	D	20	20	73×57×114	1.1	ZS1DF02V4E20
	20	7.6	0			3	3			120	D	20	20	73×57×114	1.1	ZS1DF02G4E20
1"	25	12	0	10	6	10	6	7	4	80	D	20	20	99×77×121	1.45	ZS1DF02N4G25
	25	12	0	10	6	10	6			120	D	20	20	99×77×121	1.45	ZS1DF02E4G25
	25	12	0	10	6	10	6	7	4	120	D	20	20	99×77×121	1.45	ZS1DF02V4G25
	25	12	0	10	6	3	3			120	D	20	20	99×77×121	1.45	ZS1DF02G4G25
1 1/4"	32	24	0	10	6	10	6	7	4	80	D	57	45	112×86.5×150	2.3	ZS1DF02N4H32
	32	24	0	10	6	10				120	D	57	45	112×86.5×150	2.3	ZS1DF02E4H32
	32	24	0	10	6	10	6	7	7	120	D	57	45	112×86.5×150	2.3	ZS1DF02V4H32
1 1/2"	40	29	0	10	6	10	6	7	4	80	D	57	45	123×94×160	2.9	ZS1DF02N4J40
	40	29	0	10	6	10				120	D	57	45	123×94×160	2.9	ZS1DF02E4J40
	40	29	0	10	6	10	6	7	7	120	D	57	45	123×94×160	2.9	ZS1DF02V4J40
2"	50	48	0	10	6	10	6	7	4	80	D	57	45	168×123×183	4.8	ZS1DF02N4K50
	50	48	0	10	6	10				120	D	57	45	168×123×183	4.8	ZS1DF02E4K50
	50	48	0	10	6	10	6	7	4	120	D	57	45	168×123×183	4.8	ZS1DF02V4K50

ZS 2/2-Way Large diameter Direct Acting Solenoid Valve · Normally Closed

● The Professional Solenoid Valves Manufactory



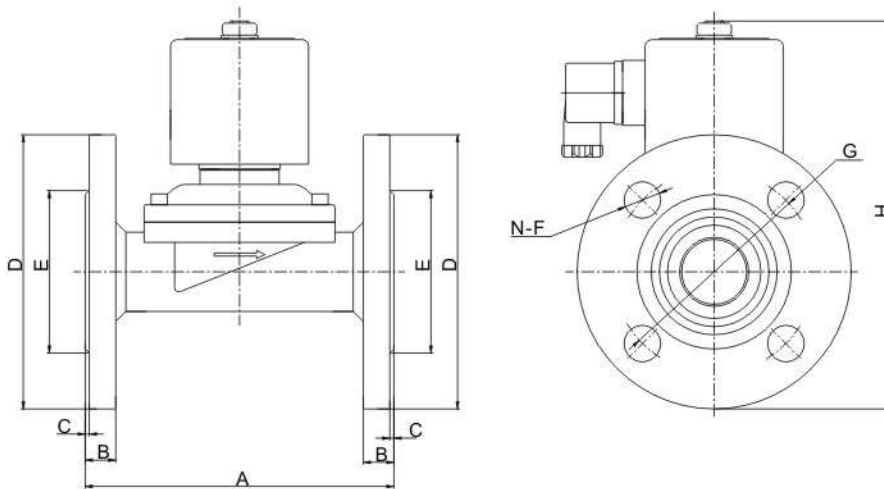
Valve Selection List(Flange)

Orifice mm	CV Factor	Operating pressure differential (Kg/cm ²)							Max. Fluids Temp.	Coil F Class Type	Power		Weight KG	Model Code 220VAC 50/60HZ
		Min.	Max.								VA AC 220 V	W DC 24 V		
			Air Gas		Water Hot water Liquids		Light oil							
			AC	DC	AC	DC	AC	DC						
25	12	0	10	6	10	6	7	4	80	D	20	20	2.9	ZS1DF02N4F25
25	12	0	10	6	10	6			120	D	20	20	2.9	ZS1DF02E4F25
25	12	0	10	6	10	6	7	4	120	D	20	20	2.9	ZS1DF02V4F25
32	24	0	10	6	10	6	7	4	80	A	57	45	5.1	ZS1AF02N4F32
32	24	0	10	6	10	6			120	A	57	45	5.1	ZS1AF02E4F32
32	24	0	10	6	10	6	7	4	120	A	57	45	5.1	ZS1AF02V4F32
40	29	0	10	6	10	6	7	4	80	A	57	45	6.1	ZS1AF02N4F40
40	29	0	10	6	10	6			120	A	57	45	6.1	ZS1AF02E4F40
40	29	0	10	6	10	6	7	4	120	A	57	45	6.1	ZS1AF02V4F40
50	48	0	10	6	10	6	7	4	80	A	57	45	8.2	ZS1AF02N4F50
50	48	0	10	6	10	6			120	A	57	45	8.2	ZS1AF02E4F50
50	48	0	10	6	10	6	7	4	120	A	57	45	8.2	ZS1AF02V4F50
65	75	0	6	5	6	5	3	2	80	A	57	64	15.2	ZS1AF02N4F65
65	75	0	6	5	6	5			120	A	57	64	15.2	ZS1AF02E4F65
65	75	0	6	5	6	5	3	2	120	A	57	64	15.2	ZS1AF02V4F65
80	90	0	6	5	6	5	3	2	80	A	57	64	18	ZS1AF02N4F80
80	90	0	6	5	6	5			120	A	57	64	18	ZS1AF02E4F80
80	90	0	6	5	6	5	3	2	120	A	57	64	18	ZS1AF02V4F80
100	160	0	6	5	6	5	3	2	80	A	57	64	23.5	ZS1AF02N4F100
100	160	0	6	5	6	5			120	A	57	64	23.5	ZS1AF02E4F100
100	160	0	6	5	6	5	3	2	120	A	57	64	23.5	ZS1AF02V4F100

ZS 2/2-Way Large diameter Direct Acting Solenoid Valve · Normally Closed

●The Professional Solenoid Valves Manufactory

External Dimensions (Flange Type)

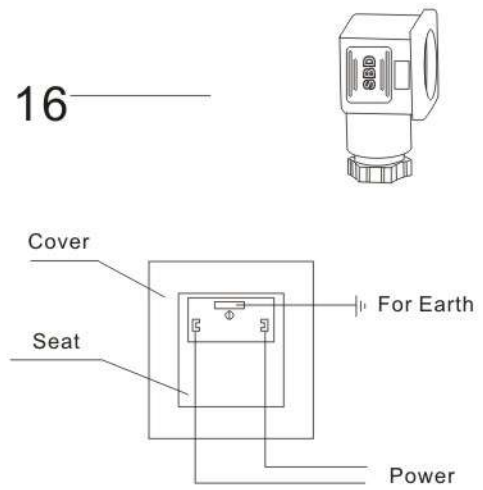
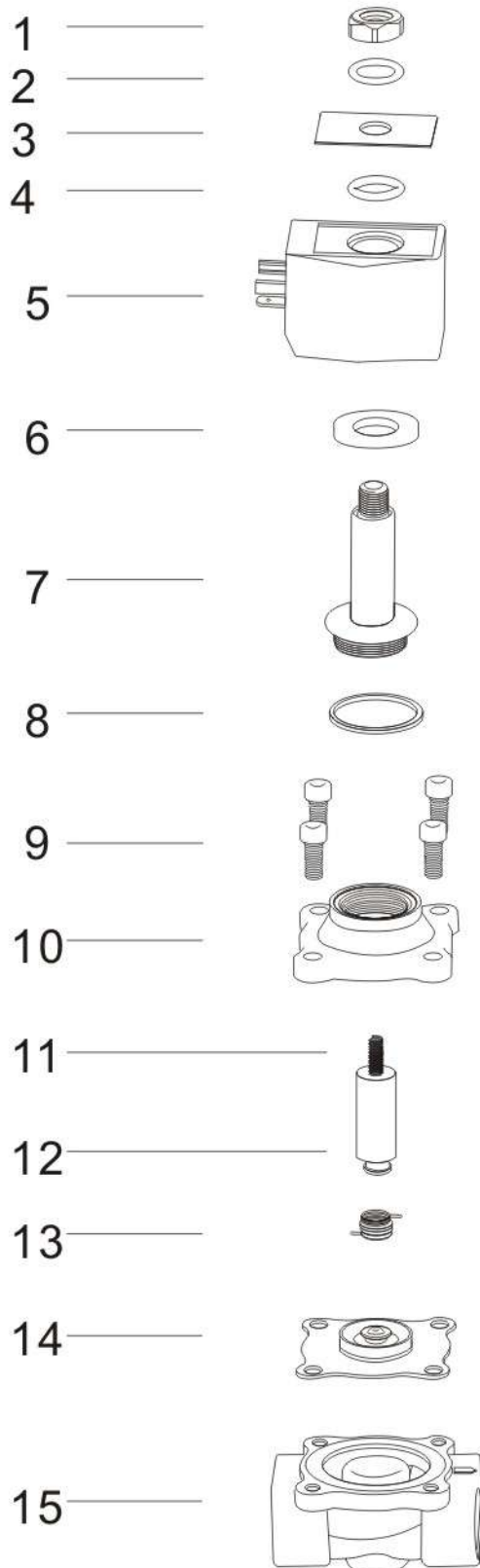


	A	B	C	ΦD	ΦE	N-ΦF	ΦG	H
ZS-25BF	140	14	2	115	62	4-14	85	160
ZS-32BF	152	15	2	135	76	4-18	100	215
ZS-40BF	152	15	2	145	84	4-18	110	215
ZS-50BF	195	16	2	160	98	4-18	125	220
ZS-65BF	250	19	3	185	118	4-18	145	308
ZS-80BF	270	19	3	202	134	4-18	160	320
ZS-100BF	342	21	3	222	162	8-18	180	345

ZS 2/2-Way Large diameter Direct Acting Solenoid Valve · Normally Closed

● The Professional Solenoid Valves Manufactory

Components Chart



Electric Wirig Chart

Code	Components
01	Locknut
02	Gasket
03	Label
04	O Ring
05	Coil
06	Plate
07	Plunger Tube Assembly
08	Plunger Tube Seal Ring
09	Bolts
10	Valve Cover
11	Plunger Spring
12	Plunger Assembly
13	Diaphragm Spring
14	Diaphragm Assembly
15	Valve Body
16	Plug

Sanlixin Solenoid Valve

ZS Plastic Series 2/2-Way Zero Press Differential Solenoid Valve · Normally Closed

●The Professional Solenoid Valves Manufactory

- 1: 2-Way normally closed solenoids valve.
- 2: Closed when de-energized, open when energized
- 3: Body material: Nylon(PA6)
- 4: Max pressure: 10bar Ambient temp 0-65°C
- 5: Serialized products, small in size, large flow rate
- 6: Voltage:AC 220V/230V/240V/110V/24V/12V
- 7: Voltage tolerance:-10% ~ +10%
- 8: Diaphragm seals: NBR, VITON, EPDM, SILICA GEL
- 9: Plastic body: Its advantages are low cost, light, good appearance and easy to install. Consult factory for other size.



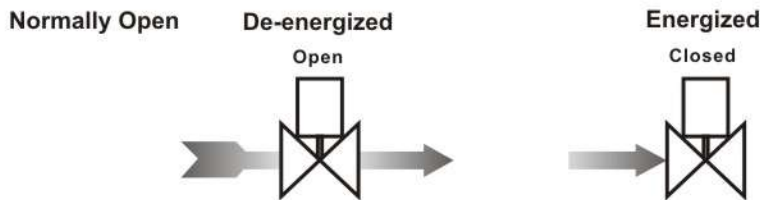
Valve Selection List

Pipe Size	Orifice mm	Operating pressure differential (kgf/cm ²)						Max. Fluids Temp. °C	Coil F Class Type	Power		External Dimensions Length x Width x Height L x W x H	Weight KG	Model Code 220VAC 50/60HZ
		CV Factor	Min.	Max.						VA	W			
				Air		Water Hot water Liquids								
				AC	DC	AC	DC							
1/2"	16	4.8	0	8	6	8	6	80	D	20	20	69×57×106	0.4	ZS1DF02N7D16
	16	4.8	0	8	6	8	6	120	D	20	20	69×57×106	0.4	ZS1DF02E7D16
	16	4.8	0	8	6	8	6	120	D	20	20	69×57×106	0.4	ZS1DF02V7D16
	16	4.8	0			3	3	120	D	20	20	69×57×106	0.4	ZS1DF02G7D16
3/4"	20	7.6	0	8	6	8	6	80	D	20	20	73×57×114	0.45	ZS1DF02N7E20
	20	7.6	0	8	6	8	6	120	D	20	20	73×57×114	0.45	ZS1DF02E7E20
	20	7.6	0	8	6	8	6	120	D	20	20	73×57×114	0.45	ZS1DF02V7E20
	20	7.6	0			3	3	120	D	20	20	73×57×114	0.45	ZS1DF02G7E20
1"	25	12	0	8	6	8	6	80	D	20	20	99×77×121	0.56	ZS1DF02N7G25
	25	12	0	8	6	8	6	120	D	20	20	99×77×121	0.56	ZS1DF02E7G25
	25	12	0	8	6	8	6	120	D	20	20	99×77×121	0.56	ZS1DF02V7G25
	25	12	0			3	3	120	D	20	20	99×77×121	0.56	ZS1DF02G7G25

ZS 2/2-Way Direct Acting Solenoid Valve · Normally Open

● The Professional Solenoid Valves Manufactory

- 1: 2-Way normally open solenoid valve, open when de-energized, Closed when energized.
- 2: Body material: brass
- 3: Max. Allowable pressure 10kgf/cm²; Ambient Temp. 0°C~65°C
- 4: Serialized products, small in size, large flow rate, widely use.
- 5: Flow as the arrow, mounts in any position; Best position is Solenoid vertical and upright direction.
- 6: Voltage: 220VAC/230VAC/240VAC/110VAC/24VAC 50/60Hz 24VDC/12VDC;
Voltage Tolerance: +10% to -10% applicable voltage
- 7: This series valves are offered NBR、VITON、EPDM etc for Seals and diaphragm to provide on-off control of various fluids.



Valve Selection List

Pipe Conn-ection	Orifice mm	CV Factor	Operating pressure differential (kgf/cm ²)								Max. Fluids Temp.	Coil Type	Power consumption		External Dimensions Length x Width x Height A x B x H	Weight KG	Model Code Follows Voltage are 220VAC 50/60HZ			
			Min.	Max.						F Class			VA	W						
				Air Gas		Water Hot water Liquids		Light oil ≤20CST										Type	AC 220 V	DC 24 V
				AC	DC	AC	DC	AC	DC											
3/8 "	4.0	0.6	0	4	4	4	4	3	3	80	D	33	20	52.5 x 32.5 x 115	0.7	ZS2DF02N1C04				
	4.0	0.6	0	4	4	4	4			120	D	33	20	52.5 x 32.5 x 115	0.7	ZS2DF02E1C04				
	4.0	0.6	0	4	4	4	4	3	3	120	D	33	20	52.5 x 32.5 x 115	0.7	ZS2DF02V4C04				
	16	4.8	0	5	5	5	5	3	3	80	D	33	20	69 x 57 x 135	1.2	ZS2DF02N1C16				
	16	4.8	0	5	5	5	5			120	D	33	20	69 x 57 x 135	1.2	ZS2DF02E1C16				
	16	4.8	0	5	5	5	5	3	3	120	D	33	20	69 x 57 x 135	1.2	ZS2DF02V1C16				

ZS 2/2-Way Direct Acting Solenoid Valve · Normally Open

●The Professional Solenoid Valves Manufactory

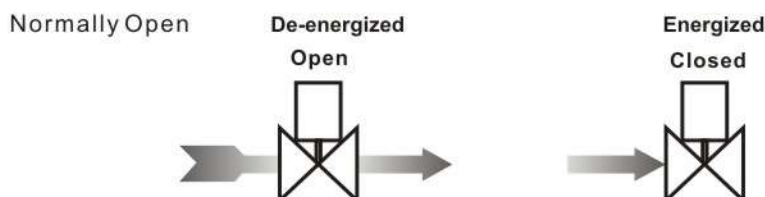
Valve Selection List

Pipe Conn-ection	Orifice mm	CV Factor	Operating pressure differential (kgf/cm ²)								Max. Fluids Temp.	Coil F Class Type	Power consumption		External Dimensions Length x Width x Height A x B x H	Weight KG	Model Code Follows Voltage are 220VAC 50/60HZ	
			Min.	Max.						AC			DC	VA				W
				Air Gas		Water Hot water Liquids		Light oil ≤20CST										
				AC	DC	AC	DC	AC	DC									
1/2"	16	4.8	0	5	5	5	5	3	3	80	D	33	20	69×57×135	1.15	ZS2DF02N1D16		
	16	4.8	0	5	5	5	5			120	D	33	20	69×57×135	1.15	ZS2DF02E1D16		
	16	4.8	0	5	5	5	5	3	3	120	D	33	20	69×57×135	1.15	ZS2DF02V1D16		
3/4"	20	7.6	0	5	5	5	5	3	3	80	D	33	20	73×57×142	1.25	ZS2DF02N1E20		
	20	7.6	0	5	5	5	5			120	D	33	20	73×57×142	1.25	ZS2DF02E1E20		
	20	7.6	0	5	5	5	5	3	3	120	D	33	20	73×57×142	1.25	ZS2DF02V1E20		
1"	25	12	0	5	5	5	5	3	3	80	D	33	20	99×77.5×150	1.7	ZS2DF02N1G25		
	25	12	0	5	5	5	5			120	D	33	20	99×77.5×150	1.7	ZS2DF02E1G25		
	25	12	0	5	5	5	5	3	3	120	D	33	20	99×77.5×150	1.7	ZS2DF02V1G25		
1 1/4"	32	24	0	5	5	5	5	3	3	80	D	70	55	112×86.5×180	2.75	ZS2DF02N2H32		
	32	24	0	5	5	5	5			120	D	70	55	112×86.5×180	2.75	ZS2DF02E2H32		
	32	24	0	5	5	5	5	3	3	120	D	70	55	112×86.5×180	2.75	ZS2DF02V2H32		
	32	24	0	5	5	5	5	3	3	80	D	70	55	112×86.5×180	2.9	ZS2DF02N1H32		
	32	24	0	5	5	5	5			120	D	70	55	112×86.5×180	2.9	ZS2DF02E1H32		
	32	24	0	5	5	5	5	3	3	120	D	70	55	112×86.5×180	2.9	ZS2DF02V1H32		
1 1/2"	40	29	0	5	5	5	5	3	3	80	D	70	55	123×94×190	3.15	ZS2DF02N2J40		
	40	29	0	5	5	5	5			120	D	70	55	123×94×190	3.15	ZS2DF02E2J40		
	40	29	0	5	5	5	5	3	3	120	D	70	55	123×94×190	3.15	ZS2DF02V2J40		
	40	29	0	5	5	5	5	3	3	80	D	70	55	123×94×190	3.2	ZS2DF02N1J40		
	40	29	0	5	5	5	5			120	D	70	55	123×94×190	3.2	ZS2DF02E1J40		
	40	29	0	5	5	5	5	3	3	120	D	70	55	123×94×190	3.2	ZS2DF02V1J40		
2"	50	48	0	5	5	5	5	3	3	80	D	70	55	168×123×216	5.4	ZS2DF02N2K50		
	50	48	0	5	5	5	5			120	D	70	55	168×123×216	5.4	ZS2DF02E2K50		
	50	48	0	5	5	5	5	3	3	120	D	70	55	168×123×216	5.4	ZS2DF02V2K50		
	50	48	0	5	5	5	5	3	3	80	D	70	55	168×123×216	5.6	ZS2DF02N1K50		
	50	48	0	5	5	5	5			120	D	70	55	168×123×216	5.6	ZS2DF02E1K50		
	50	48	0	5	5	5	5	3	3	120	D	70	55	168×123×216	5.6	ZS2DF02V1K50		

ZS 2/2-Way Direct Acting Solenoid Valve · Normally Open

● The Professional Solenoid Valves Manufacturer

- 1: 2-Way normally open solenoid valve, open when de-energized, Closed when energized.
- 2: Body material: SS304 (standard). SS316 (special made)
- 3: Max. Allowable pressure: 10kgf/cm²; Ambient Temp. 0°C~65°C
- 4: Serialized products, small in size, large flow rate, widely use.
- 5: Flow as the arrow, mounts in any position; Best position is Solenoid vertical and upright direction.
- 6: Voltage: 220VAC/230VAC/240VAC/110VAC/24VAC 50/60Hz 24VDC/12VDC;
Voltage Tolerance: +10% to -10% applicable voltage
- 7: This series valves are offered NBR, VITON, EPDM etc for Seals and diaphragm to provide on-off control of various fluids.



Valve Selection List

Pipe Conn- ection	Orifice mm	CV Factor	Operating pressure differential (kgf/cm ²)								Max. Fluids Temp.	Coil F Class Type	Power consumption		External Dimensions Length x Width x Height A x B x H	Weight KG	Model Code Follows Voltage are 220VAC 50/60HZ	
			Min.	Max.						AC			DC	VA				W
				Air Gas	Water Hot water Liquids		Light oil ≤20CST	AC	DC									
					AC	DC												
3/8 "	4.0	0.6	0	4	4	4	4	3	3	80	D	33	20	52.5×32.5×115	0.7	ZS2DF02N4C04		
	4.0	0.6	0	4	4	4	4			120	D	33	20	52.5×32.5×115	0.7	ZS2DF02E4C04		
	4.0	0.6	0	4	4	4	4	3	3	120	D	33	20	52.5×32.5×115	0.7	ZS2DF02V4C04		
	16	4.8	0	5	5	5	5	3	3	80	D	33	20	69×57×135	1.1	ZS2DF02N4C16		
	16	4.8	0	5	5	5	5			120	D	33	20	69×57×135	1.1	ZS2DF02E4C16		
	16	4.8	0	5	5	5	5	3	3	120	D	33	20	69×57×135	1.1	ZS2DF02V4C16		
1/2 "	16	4.8	0	5	5	5	5	3	3	80	D	33	20	69×57×135	1.05	ZS2DF02N4D16		
	16	4.8	0	5	5	5	5			120	D	33	20	69×57×135	1.05	ZS2DF02E4D16		
	16	4.8	0	5	5	5	5	3	3	120	D	33	20	69×57×135	1.05	ZS2DF02V4D16		
3/4 "	20	7.6	0	5	5	5	5	3	3	80	D	33	20	73×57×142	1.2	ZS2DF02N4E20		
	20	7.6	0	5	5	5	5			120	D	33	20	73×57×142	1.2	ZS2DF02E4E20		
	20	7.6	0	5	5	5	5	3	3	120	D	33	20	73×57×142	1.2	ZS2DF02V4E20		

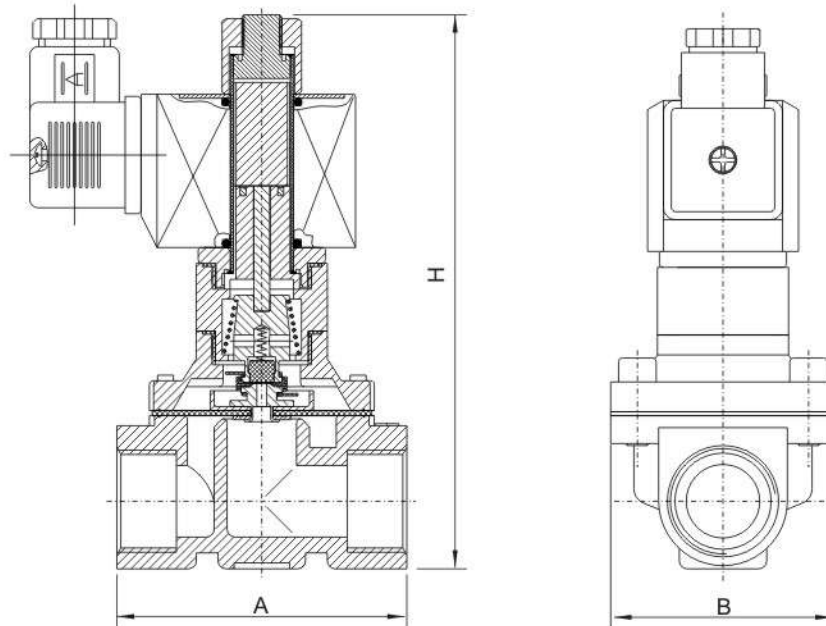
ZS 2/2-Way Direct Acting Solenoid Valve · Normally Open

●The Professional Solenoid Valves Manufactory

Valve Selection List (Female Thread)

Pipe Conn- ection	Orifice mm	CV Factor	Operating pressure differential (kgf/cm ²)							Max. Fluids Temp.	Coil F Class Type	Power consumption		External Dimensions Length x Width x Height Lx W x H	Weight KG	Model Code Follows Voltage are 220VAC 50/60HZ
			Max.									VA	W			
			Min.	Air Gas		Water Hot water Liquids		Light oil ≤20CST				AC 220	DC 24			
				AC	DC	AC	DC	AC	DC							
1 "	25	12	0	5	5	5	3	3	3	80	D	33	20	99×77.5×150	1.6	ZS2DF02N4G25
	25	12	0	5	5	5	3			120	D	33	20	99×77.5×150	1.6	ZS2DF02E4G25
	25	12	0	5	5	5	3	3	3	120	D	33	20	99×77.5×150	1.6	ZS2DF02V4G25
1 1/4 "	32	24	0	5	5	5	3	3	3	80	D	70	55	112×86.5×180	2.6	ZS2DF02N4H32
	32	24	0	5	5	5	3			120	D	70	55	112×86.5×180	2.6	ZS2DF02E4H32
	32	24	0	5	5	5	3	3	3	120	D	70	55	112×86.5×180	2.6	ZS2DF02V4H32
1 1/2 "	40	29	0	5	5	5	3	3	3	80	D	70	55	123×94×190	3.2	ZS2DF02N4J40
	40	29	0	5	5	5	3			120	D	70	55	123×94×190	3.2	ZS2DF02E4J40
	40	29	0	5	5	5	3	3	3	120	D	70	55	123×94×190	3.2	ZS2DF02V4J40
2 "	50	48	0	5	5	5	3	3	3	80	D	70	55	168×123×216	5.2	ZS2DF02N4K50
	50	48	0	5	5	5	3			120	D	70	55	168×123×216	5.2	ZS2DF02E4K50
	50	48	0	5	5	5	3	3	3	120	D	70	55	168×123×216	5.2	ZS2DF02V4K50

Construction, External Dimensions Chart



ZS 2/2-Way Direct Acting Solenoid Valve · Normally Open

● The Professional Solenoid Valves Manufacturer



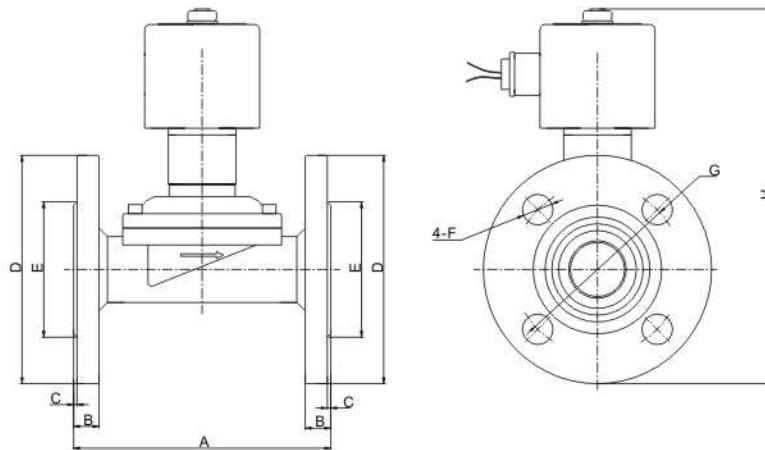
Valve Selection List (Flange)

Orifice mm	CV Factor	Operating pressure differential (kgf/cm ²)								Max. Fluids Temp.	Coil F Class Type	Power consumption		Weight KG	Model Code 220VAC 50/60HZ	
		Min.	Max.						VA			W				
			Air Gas		Water Hot water Liquids		Light oil						AC 220 V			DC 24 V
			AC	DC	AC	DC	AC	DC								
25	12	0	5	5	5	5	3	3	80	D	33	20	3.05	ZS2DF02N4F25		
25	12	0	5	5	5	5			120	D	33	20	3.05	ZS2DF02E4F25		
25	12	0	5	5	5	5	3	3	120	D	33	20	3.05	ZS2DF02V4F25		
32	24	0	5	5	5	5	3	3	80	D	70	55	5.4	ZS2DF02N4F32		
32	24	0	5	5	5	5			120	D	70	55	5.4	ZS2DF02E4F32		
32	24	0	5	5	5	5	3	3	120	D	70	55	5.4	ZS2DF02V4F32		
40	29	0	5	5	5	5	3	3	80	D	70	55	6.4	ZS2DF02N4F40		
40	29	0	5	5	5	5			120	D	70	55	6.4	ZS2DF02E4F40		
40	29	0	5	5	5	5	3	3	120	D	70	55	6.4	ZS2DF02V4F40		
50	48	0	5	5	5	5	3	3	80	D	70	55	8.6	ZS2DF02N4F50		
50	48	0	5	5	5	5			120	D	70	55	8.6	ZS2DF02E4F50		
50	48	0	5	5	5	5	3	3	120	D	70	55	8.6	ZS2DF02V4F50		

ZS 2/2-Way Direct Acting Solenoid Valve · Normally Open

●The Professional Solenoid Valves Manufactory

External Dimensions (Flange Series)



Model	A	B	C	φD	φE	φF	φG	H
ZS-25BH	140	14	2	115	62	4-14	85	180
ZS-32BH	152	15	2	135	76	4-18	100	235
ZS-40BH	152	15	2	145	84	4-18	110	240
ZS-50BH	195	16	2	160	98	4-18	125	255

ZS Series Coil parameters tables

● The Professional Solenoid Valves Manufactory

ZS Series Coils Characteristics List

Coils Model Code	Voltage	Power consumption					The orifice for suitable Valve Model. (mm)	
		50HZ VA		60HZ VA		DC	Normally closed	Normally open
		Inrush	Holding	Inrush	Holding	W		
N05-2101	AC220V	32	13	32	12		φ 2.5	
N05-2102	AC110V	32	13	32	12	—	φ 3.0	
N05-2106	DC24V	—				8.5	—	
N05-2107	DC12V	—				8.5	—	
D01-4101A	AC220V	60	20	60	20	—	φ 4~ φ 25	—
N01-4101								
D01-4101B	AC220V	82	33	82	33	—	—	φ 2.5~ φ 3.0
N01-4101								φ 4~ φ 25
A01-4101	AC220V	70	28	70	23	—	φ 4~ φ 25	φ 4~ φ 25
D01-4102	AC110V	82	28	82	28			
N01-4102	AC110V	82	28	82	28			
A01-4102	AC110V	70	28	70	23			
D01-4106	DC24V	—				20	φ 4~ φ 25	—
D01-4107	DC12V	—						
D08-6101	AC220V	175	57	175	56	—	φ 32~ φ 50	—
N08-6101								
A08-6101	AC220V	110	44	110	36			
D08-6102	AC110V	110	45	110	36			
N08-6102								
A08-6102	AC110V	110	44	110	36			
D08-6106	DC24V	—				40		
N08-6106		—				49		
A08-6106	DC24V	—				49		
A10-92101	AC220V	159	55	150	50	—	φ 65~ φ 100	—
A10-92106	DC24V	—						