

**Long Tube Type**

Item Code	Measuring range	Medium	Remarks	
LZS-15S06L	6-60L/h	Water	Without Guide rod	
LZS-15S10L	10-100L/h			
LZS-15S16L	16-160L/h			
LZS-15S25L	25-250L/h			
LZS-15S40L	40-400L/h			
LZS-15S60L	60-600L/h			
LZS-15S100L	100-1000L/h			
LZS-25S06L	60-600L/h			
LZS-25S10L	0.1-1M <sup>3</sup> /h			
LZS-25S16L	0.16-1.6M <sup>3</sup> /h			
LZS-25S25L	0.25-2.5M <sup>3</sup> /h			
LZS-25S30L	0.3-3M <sup>3</sup> /h			
LZS-40S04L	0.4-4M <sup>3</sup> /h			Without Guide rod
LZS-40S06L	0.6-6M <sup>3</sup> /h			
LZS-50S04L	0.4-4M <sup>3</sup> /h			
LZS-50S06L	0.6-6M <sup>3</sup> /h			
LZS-50S10L	1-10M <sup>3</sup> /h			
LZS-50S16L	1.6-16M <sup>3</sup> /h		With Guide rod	
LZS-100 LZS-125 LZS-150	S06L/F		12-60M <sup>3</sup> /h	Flange connection With Guide rod
	S09L/F		14-90M <sup>3</sup> /h	
	S12L/F	18-120M <sup>3</sup> /h		
	S15L/F	20-150M <sup>3</sup> /h		
	S18L/F	25-180M <sup>3</sup> /h		
	S20L/F	25-200M <sup>3</sup> /h		



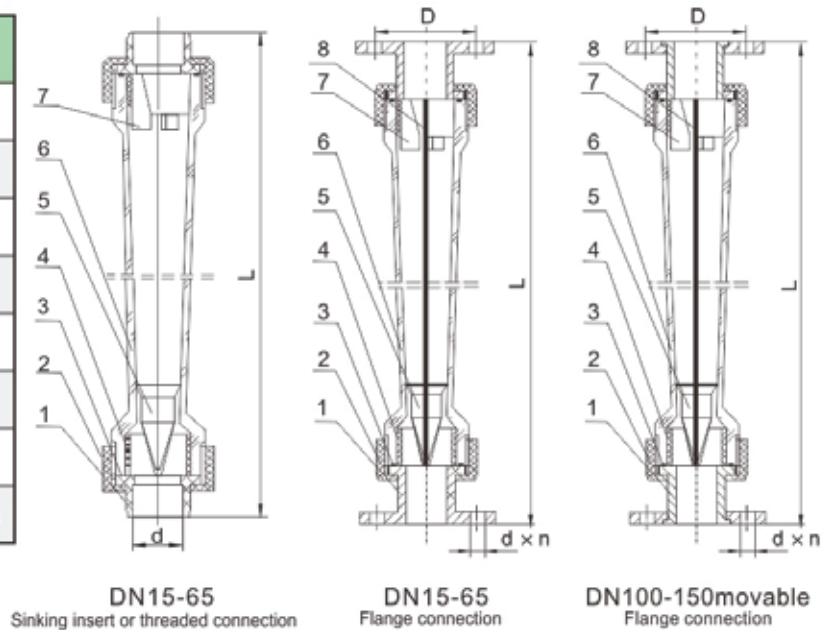
**Short Tube Type**

Item Code	Measuring range	Medium	Remarks
LZS-15S06S	6-60L/h	Water	With Guide rod
LZS-15S10S	10-100L/h		
LZS-15S16S	16-160L/h		
LZS-15S25S	25-250L/h		
LZS-15S40S	40-400L/h		
LZS-15S60S	60-600L/h		
LZS-15S100S	100-1000L/h		
LZS-25S06S	60-600L/h		
LZS-25S10S	0.1-1m <sup>3</sup> /h		
LZS-25S16S	0.16-1.6m <sup>3</sup> /h		
LZS-25S25S	0.25-2.5m <sup>3</sup> /h		
LZS-25S30S	0.3-3m <sup>3</sup> /h		
LZS-32S04S	0.4-4m <sup>3</sup> /h		
LZS-32S06S	0.6-6m <sup>3</sup> /h		
LZS-32S10S	1-10m <sup>3</sup> /h		
LZS-40S06S	0.6-6m <sup>3</sup> /h		
LZS-40S10S	1-10m <sup>3</sup> /h		
LZS-40S16S	1.6-16m <sup>3</sup> /h		
LZS-50S06S	0.6-6m <sup>3</sup> /h		
LZS-50S10S	1-10m <sup>3</sup> /h		
LZS-50S16S	1.6-16m <sup>3</sup> /h		
LZS-65S16S	1.6-16m <sup>3</sup> /h		
LZS-65S25S	5-25m <sup>3</sup> /h		
LZS-65S40S	8-40m <sup>3</sup> /h		
LZS-65S60S	12-60m <sup>3</sup> /h		
LZS-80S25S/F	5-25m <sup>3</sup> /h		
LZS-80S40S/F	8-40m <sup>3</sup> /h		
LZS-80S60S/F	12-60m <sup>3</sup> /h		



**Main Parts' Materials**

Number	Main Parts	Material
1	Connection tube	UPVC
2	Nut	ABS
3	O -ring	NBR
4	Bottom stop shaft	PE
5	Float	ABS
6	Meter tube	AS
7	Top stop shaft	PE
8	Guide rod	304ss or 316ss



**Dimension Diagrams**

Nominal diameter (mm)	Long tube size			Short tube size			Flange connection size			
	L	d		L	d		L	D	d × n	
		Sinking insert	Thread		Sinking insert	Thread				
15	280	φ20	G1/2 "	200	φ20	G1/2 "	330	250	65	14 × 4
25	380	φ32	G3/4 "	226	φ32	G3/4 "	445	291	85	14 × 4
32	—	—	—	288	φ40	G1 "	—	351	100	18 × 4
40	430	φ50	—	341	φ50	—	505	416	110	18 × 4
50	435	φ63	G1-1/2 "	341	φ63	G1-1/2 "	519	430	125	18 × 4
65	—	—	—	430	φ75	G2 "	—	522	145	18 × 4
80	—	—	—	505	φ90	—	540	—	160	18 × 8
100	—	—	—	—	—	—	555	—	180	18 × 8
125	—	—	—	—	—	—	555	—	210	18 × 8
150	—	—	—	—	—	—	555	—	240	22 × 8

**Ordering:**

Use the following guide to determine the specific product you require.

- LZS- S L: Long tube type LZS- S S: Short tube type
- Connection: /F : Flange type ( DN15-65 flange connection can also be made of PVC )  
/N : Thread  
/□: Sinking insert ( No suffix added, But If you want to customize PVC connection tube of ANSI or JIS standards, please specify tube's outer diameter. )
- Special requirements:  
If you want anticorrosive type meter (guide rod lining F46), add suffix /F46 after normal item code when order.  
If you want meter with upper and lower limit alarm function, add suffix /K1 (lower limit), K2 (upper limit) after normal item code when order.
- DN15 series is usually equipped with 4 parts PVC pipe or 6 parts PVC pipe