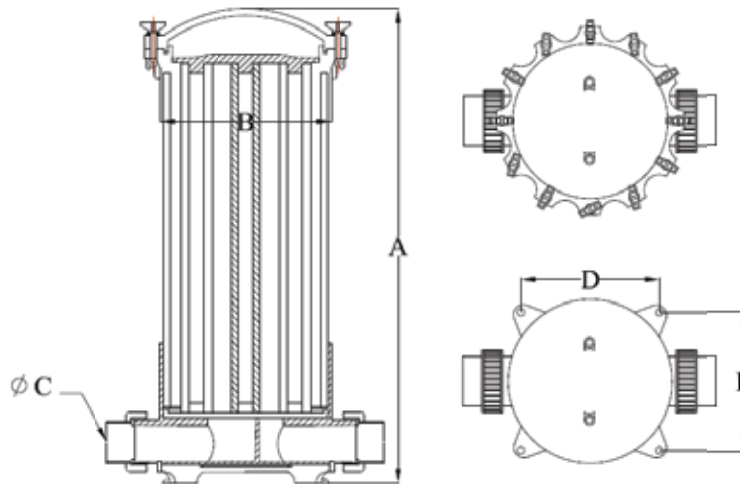


uPVC Multi Round Cartridge Filter Housing



Filter housing is made by corrosion proof heavy duty uPVC material. It is designed with a hold down plate so that the filter cartridges are well positioned and aligned. The filter housing is applied widely in majority industries such as Food and Beverage, chemical, water and wastewater treatment.

The filter housing is designed in the way that the water enters housing from the bottom to the top so that the water can be distributed evenly through the system without hitting the filter cartridges directly. An exhaust valve is provided on the top of the filter housing in order to release air from the system.



Product Data

Model	Qty of Round	Length	Dimension (mm)				
			A	B	C	D	E
MCF PVC	5	10"	455	225	Ø48.5	190	190
		20"	710				
		30"	965				
		40"	1220				
MCF PVC	9	10"	505	315	Ø 88.9	275	250
		20"	760				
		30"	1000				
		40"	1270				

Operating condition:

1. Max operating temperature: 45°C
2. Max operating pressure: 0.6MPa (6 bar)