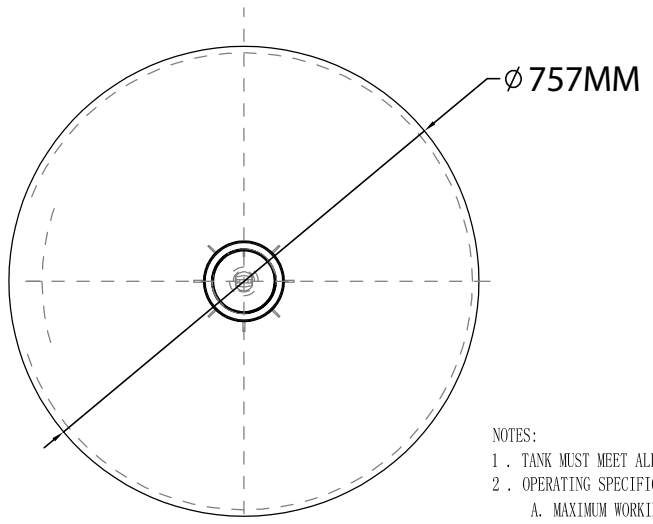


Model No	Working pressure	Working Temperature	Dimension(mm)		
3072	150psi(10.5BAR)	1-49centigrade	ø 750x2000		
Top Opening	Bottom Opening	Water flow rate	Volume	Net H	Total H
4"-8UN	4"-8UN	7.2~12.2{TPH}	670L iters	1760	2000



Top-Bottom View

- NOTES:
- TANK MUST MEET ALL APPLICABLE SPECIFICATIONS OF NSF/ANSI 044 STANDARD, LATEST REVISION.
 - OPERATING SPECIFICATIONS:
 - A. MAXIMUM WORKING PRESSURE - 150 PSI (10.5BAR)
 - B. TEMPERATURE RANGE - 34-120° F(1-49°C)
 - C. MAXIMUM VACUUM - 5"Hg(127mm Hg)
 - VISUAL LINER INSPECTION
 - A. NO MORE THAN 10 INTERNAL OR EXTERNAL BLEMISHES OR BURNT DEBRIS.
 - B. NO INTERNAL OR EXTERNAL BLEMISHES OR BURNT DEBRIS LARGER THAN 3×3mm.
 - C. NO INTERNAL BLEMISHES OR BURNT DEBRIS ALLOWED.
 - ALL GLASS STRANDS FROM FIBERGLASS LINER TO BE BONDED AND COVERED.
 - SURFACE TO BE FREE OF NICKS, SCRATCHES, RESIN AND GLASS.
 - SURFACE FINISH.
 - DIMENSIONS IN PARENTHESIS ARE REFERENCE ONLY.
 - DIMENSIONS IN SQUARE PARENTHESIS ARE INCH UNIT.
 - USING A STANDARD LEVEL WITH TANK POSITIONED ON A LEVEL SURFACE, DATUM B TO BE PARALLEL WITH DATUM A. BUBBLE OF LEVEL MUST FALL COMPLETELY WITHIN LINES WHEN MEASURED AT 90° INTERVALS.

Front View
3072

VERSION NO.	DESCRIPTION OF CHANGES:		
REFERENTIAL PLASTIC SHRINKAGE (IF NECESSARY):	MODEL: FT 3072		
SIGNATURE			
NAME	DATE		
DESIGN	SCALE	MATERIAL	MODEL
INSPECTION			DESCRIPTION
APPROVAL	QUANTITY	SMOOTHNESS	FRP PRESSURE VESSEL
THIS PRODUCT DRAWING CAN NOT BE COPIED AND/OR USED WITHOUT PRIOR WRITTEN APPROVAL OF WAVE CYBER.		PROJECTION	COMPUTER CODE
DO NOT MEASURE THE DIMENSIONS.		UNIT: MM	TOTAL PAGE: 1