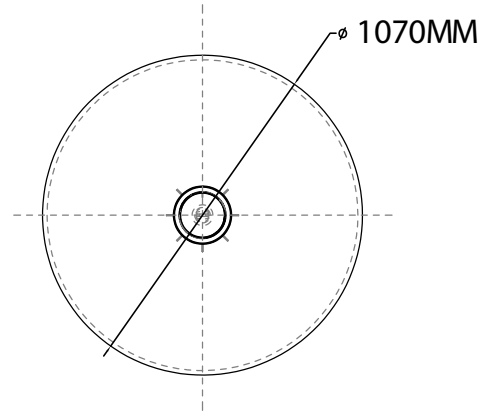


Front View
4272

Model No	Working pressure	Working Temperature	Dimension(mm)
4272	150psi(10.5BAR)	1-49centigrade	∅ 1050x2060
Top Opening	Bottom Opening	Water flow rate	Volume
6"-flange	6"-flange	17.0~23.0{ TPH }	1351L liters
		Net H	Total H
		1760	2060



Top-Bottom View

NOTES:

- TANK MUST MEET ALL APPLICABLE SPECIFICATIONS OF NSF/ANSI 044 STANDARD, LATEST REVISION.
- OPERATING SPECIFICATIONS:
 - MAXIMUM WORKING PRESSURE - 150 PSI (10.5BAR)
 - TEMPERATURE RANGE - 34-120° F (1-49°C)
 - MAXIMUM VACUUM - 5"Hg (127mm Hg)
- VISUAL LINER INSPECTION
 - NO MORE THAN 10 INTERNAL OR EXTERNAL BLEMISHES OR BURNT DEBRIS.
 - NO INTERNAL OR EXTERNAL BLEMISHES OR BURNT DEBRIS LARGER THAN 3×3mm.
 - NO INTERNAL BLEMISHES OR BURNT DEBRIS ALLOWED.
- ALL GLASS STRANDS FROM FIBERGLASS LINER TO BE BONDED AND COVERED.
- SURFACE TO BE FREE OF NICKS, SCRATCHES, RESIN AND GLASS.
- SURFACE FINISH.
- DIMENSIONS IN PARENTHESIS ARE REFERENCE ONLY.
- DIMENSIONS IN SQUARE PARENTHESIS ARE INCH UNIT.
- USING A STANDARD LEVEL WITH TANK POSITIONED ON A LEVEL SURFACE, DATUM B TO BE PARALLEL WITH DATUM A. BUBBLE OF LEVEL MUST FALL COMPLETELY WITHIN LINES WHEN MEASURED AT 90° INTERVALS.

VERSION NO.	DESCRIPTION OF CHANGES:		
REFERENTIAL PLASTIC SHRINKAGE (IF NECESSARY):	MODEL: FT 4272		
SIGNATURE			
NAME	DATE		
DESIGN	SCALE	MATERIAL	MODEL
INSPECTION			DESCRIPTION
APPROVAL	QUANTITY	SMOOTHNESS	FRP PRESSURE VESSEL
THIS PRODUCT DRAWING CAN NOT BE COPIED AND/OR USED WITHOUT PRIOR WRITTEN APPROVAL OF WAVE CYBER.	PROJECTION	COMPUTER CODE	
	DO NOT MEASURE THE DIMENSIONS.	UNIT: MM	TOTAL PAGE: 1