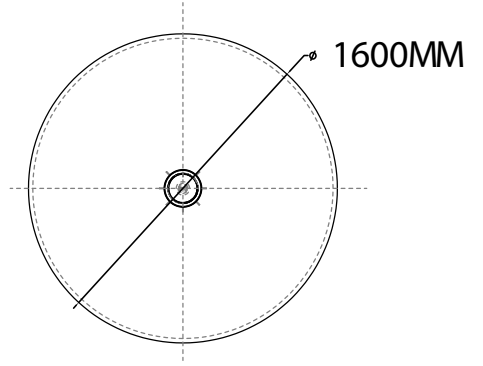


Front View
6386

Model No	Working pressure	Working Temperature	Dimension(mm)		
6386	150psi(10.5BAR)	1-49centigrade	∅ 1600x2200		
Top Opening	Bottom Opening	Water flow rate	Volume	Net H	Total H
6"-flange	6"-flange	40.0~55.0{ T PH }	3416Liters	1900	2200



Top-Bottom View

- NOTES:
- TANK MUST MEET ALL APPLICABLE SPECIFICATIONS OF NSF/ANSI 044 STANDARD, LATEST REVISION.
 - OPERATING SPECIFICATIONS:
 - MAXIMUM WORKING PRESSURE - 150 PSI (10.5BAR)
 - TEMPERATURE RANGE - 34-120° F (1-49°C)
 - MAXIMUM VACUUM - 5"Hg (127mm Hg)
 - VISUAL LINER INSPECTION
 - NO MORE THAN 10 INTERNAL OR EXTERNAL BLEMISHES OR BURNT DEBRIS.
 - NO INTERNAL OR EXTERNAL BLEMISHES OR BURNT DEBRIS LARGER THAN 3×3mm.
 - NO INTERNAL BLEMISHES OR BURNT DEBRIS ALLOWED.
 - ALL GLASS STRANDS FROM FIBERGLASS LINER TO BE BONDED AND COVERED.
 - SURFACE TO BE FREE OF NICKS, SCRATCHES, RESIN AND GLASS.
 - SURFACE FINISH.
 - DIMENSIONS IN PARENTHESIS ARE REFERENCE ONLY.
 - DIMENSIONS IN SQUARE PARENTHESIS ARE INCH UNIT.
 - USING A STANDARD LEVEL WITH TANK POSITIONED ON A LEVEL SURFACE, DATUM B TO BE PARALLEL WITH DATUM A. BUBBLE OF LEVEL MUST FALL COMPLETELY WITHIN LINES WHEN MEASURED AT 90° INTERVALS.

VERSION NO.	DESCRIPTION OF CHANGES:				
REFERENTIAL PLASTIC SHRINKAGE (IF NECESSARY):	MODEL: FT 6386				
SIGNATURE					
NAME	DATE				
DESIGN	SCALE	MATERIAL	MODEL		
INSPECTION			DESCRIPTION		
APPROVAL	QUANTITY	SMOOTHNESS	FRP PRESSURE VESSEL		
THIS PRODUCT DRAWING CAN NOT BE COPIED AND/OR USED WITHOUT PRIOR WRITTEN APPROVAL OF WAVE CYBER.		PROJECTION	COMPUTER CODE		
		DO NOT MEASURE THE DIMENSIONS	UNIT: MM	TOTAL PAGE: 1	